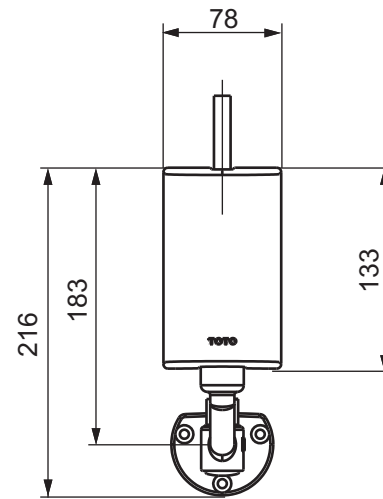
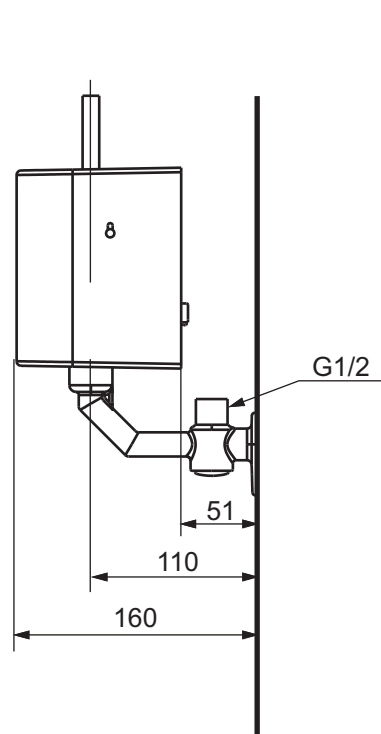


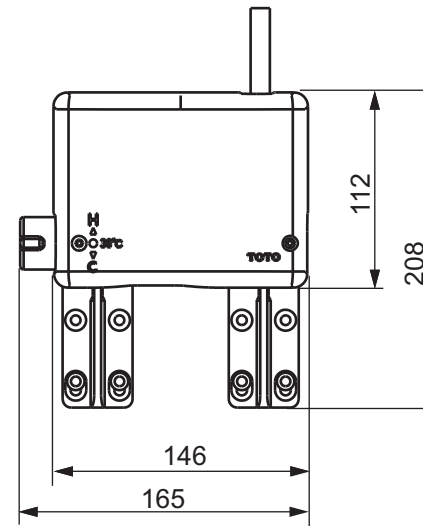
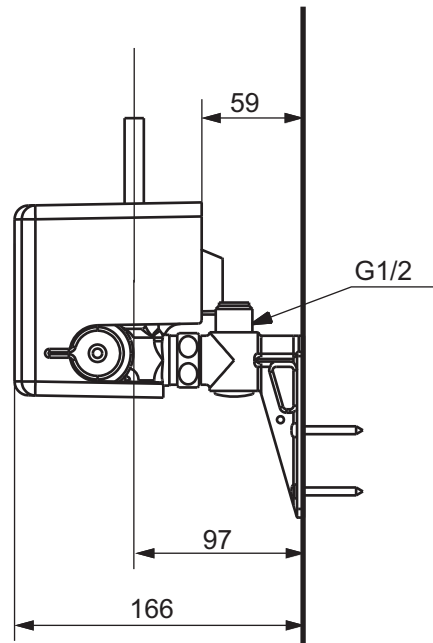
TO BE COMBINED WITH

- 1. Single water unit (3L/min) TN789V465
- 2. Single water unit (4L/min) TN789V565
- 3. Thermostatic unit (3L/min) TN7810V465
- 4. Thermostatic unit (4L/min) TN7810V565

Designation		TOTO	
PUBLIC SERIES Auto faucet traditional curved TEN12AWV505			
Altered		Scale	This drawing including the respective data may neither be duplicated nor modified nor altered without the consent of TOTO Europe GmbH. The usage of the data/technical drawings takes place at user's own risk and under exclusion of any liability of TOTO Europe GmbH and/or of the companies of the TOTO-Group. The indicated dimensions are not binding; products are subject to change. Measurements shown may be subject to small variations or are indicative.
		1:5	
		Signed	
		Date	22/02/2001



Designation		TOTO	
PUBLIC SERIES Single water unit (2L/min) TN789V765 Single water unit (3L/min) TN789V465 Single water unit (4L/min) TN789V565			
Altered		Scale	
		1:5	
		Signed	T.G.
		Date	22/02/2010
			<small>This drawing including the respective data may neither be duplicated nor modified nor altered without the consent of TOTO Europe GmbH. The usage of the data/technical drawings takes place at user's own risk and under exclusion of any liability of TOTO Europe GmbH and/or of the companies of the TOTO-Group. The indicated dimensions are not binding; products are subject to change. Measurements shown may be subject to small variations or are indicative.</small>



TO BE COMBINED WITH

- | | |
|-----------------------------------|-------------|
| 1. Auto faucet Curved | TEN40AWV105 |
| 2. Auto faucet Curved | TEN40AWV205 |
| 3. Auto faucet Traditional | TEN12AWV205 |
| 4. Auto faucet Modern curved | TEN12AWV105 |
| 5. Auto faucet Modern square | TEN12AWV305 |
| 6. Auto faucet Traditional curved | TEN12AWV505 |

Designation
PUBLIC SERIES
 Thermostatic unit (2L/min) TN7810V765
 Thermostatic unit (3L/min) TN7810V465
 Thermostatic unit (4L/min) TN7810V565

TOTO

Altered		Scale	1:5
		Signed	T.G.
	Date	22/02/2011	

This drawing including the respective data may neither be duplicated nor modified nor altered without the consent of TOTO Europe GmbH. The usage of the data/technical drawings takes place at user's own risk and under exclusion of any liability of TOTO Europe GmbH and/or of the companies of the TOTO-Group. The indicated dimensions are not binding; products are subject to change. Measurements shown may be subject to small variations or are indicative.