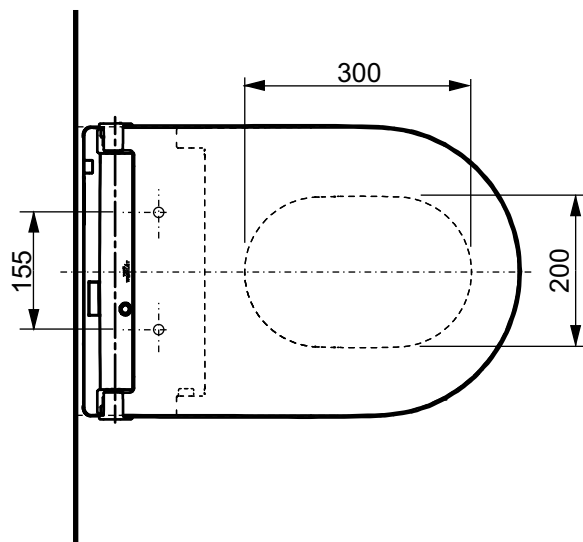
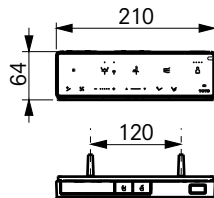


±0=OKFFB



IN COMBINATION WITH:

- | | |
|---|----------------------------|
| 1. WC RP, wall-hung for WASHLET® | CW542ERY |
| 2. WC Element with empty conduit for WASHLET® water supply, prepared for Auto Flush Motor | WH182ET(EU)
WH183ET(UK) |
| 3. Plush plate, matt white | MB175M#W |
| 4. Auto Flush Motor incl. connection cable to WASHLET® | HM184 |
| 5. Connecting set for WASHLET® with hidden connections | SP10695UN |

IN COMBINATION WITH:

- | | |
|--|-----------|
| 1. WC RP, back-to-wall, floor-standing | CW563Y#XW |
| 2. Concealed Cistern, prepared for Auto Flush Motor | WH183ETNF |
| 3. Plush plate, matt white | MB175M#W |
| 4. Auto Flush Motor incl. connection cable to WASHLET® | HM184 |
| 5. Connecting set for WASHLET® RW on WC RP, back-to-wall | TCA564 |

Designation		TOTO		
WASHLET® RW auto flush, incl. remote controller TCF802EAG#NW1				
Altered		Scale	1:10	
		Signed		T.G.
		Date		22/01/2026
			This drawing including the respective data may neither be duplicated nor modified nor altered without the consent of TOTO Europe GmbH. The usage of the data/technical drawings takes place at user's own risk and under exclusion of any liability of TOTO Europe GmbH and/or of the companies of the TOTO-Group. The indicated dimensions are not binding; products are subject to change.	