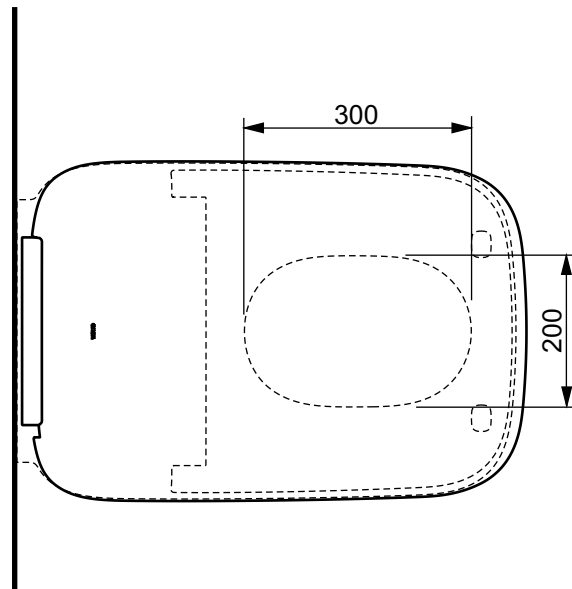
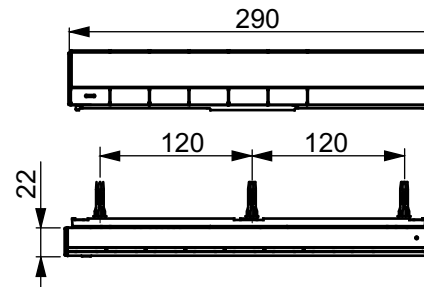
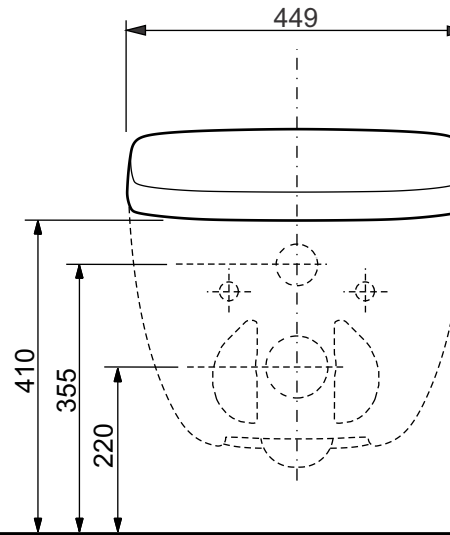


±0=OKFFB



TO BE COMBINED WITH:

1. WC for NEOREST® WX1
2. Push plate for NEOREST® WX
3. Connecting set for NEOREST® WX
4. WC Element with empty conduit for WASHLET® water supply, prepared for Auto Flush Motor
5. Auto Flush Motor (requires WASHLET® with 'auto flush')

- CW927PZY#MBL
- MB177EM#B
- HM183
- WH182ET (EU), WH183ET (UK)
- HM184

Designation
NEOREST®
 WASHLET® for NEOREST® WX1
 TCF95580GEU#MBL

TOTO

Altered		Scale	1:10
		Signed	T.G.
		Date	05/02/2026

This drawing including the respective data may neither be duplicated nor modified nor altered without the consent of TOTO Europe GmbH. The usage of the data/technical drawings takes place at user's own risk and under exclusion of any liability of TOTO Europe GmbH and/or of the companies of the TOTO-Group. The indicated dimensions are not binding; products are subject to change. Measurements shown may be subject to small variations or are indicative.