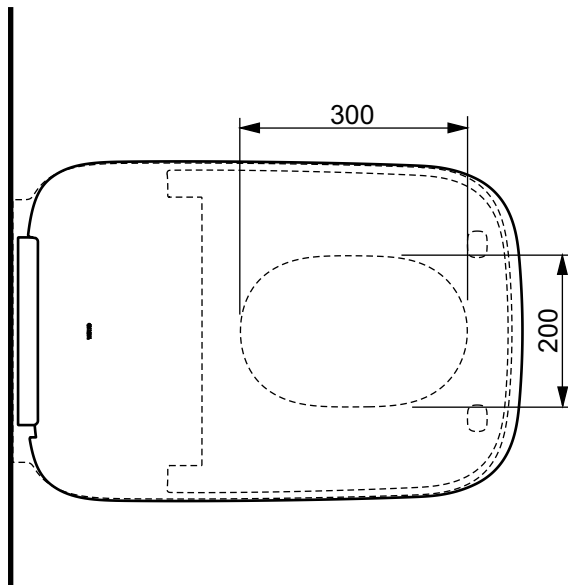
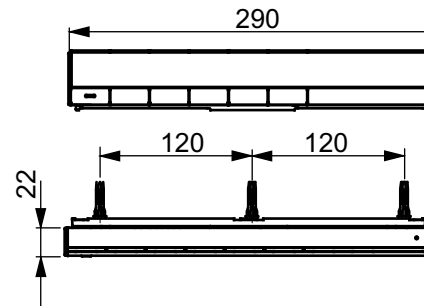
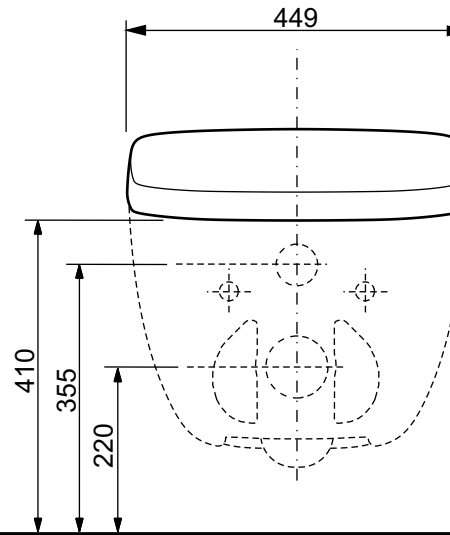


±0=OKFFB



TO BE COMBINED WITH:

- | | |
|---|----------------------------|
| 1. WC for NEOREST® WX1 | CW927PZY#MW |
| 2. Push plate for NEOREST® WX | MB177EM#W |
| 3. Connecting set for NEOREST® WX | HM183 |
| 4. WC Element with empty conduit for WASHLET® water supply, prepared for Auto Flush Motor | WH182ET (EU), WH183ET (UK) |
| 5. Auto Flush Motor (requires WASHLET® with 'auto flush') | HM184 |

Designation		TOTO	
NEOREST® WASHLET® for NEOREST® WX1 TCF95580GEU#MW			
Altered		Scale	1:10
		Signed	T.G.
		Date	05/02/2026

This drawing including the respective data may neither be duplicated nor modified nor altered without the consent of TOTO Europe GmbH. The usage of the data/technical drawings takes place at user's own risk and under exclusion of any liability of TOTO Europe GmbH and/or of the companies of the TOTO-Group. The indicated dimensions are not binding; products are subject to change. Measurements shown may be subject to small variations or are indicative.