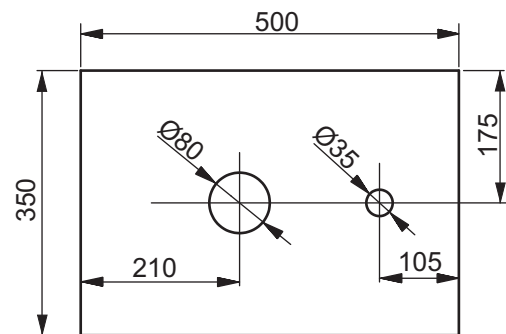


±0=OKFFB



CAN BE COMBINED WITH:

- 1. Handrinse vessel LW10019G

Designation		TOTO	
NC SERIES Vanity unit for handrinse vessel, tap hole right FU10385U			
Altered		Scale	This drawing including the respective data may neither be duplicated nor modified nor altered without the consent of TOTO Europe GmbH. The usage of the data/technical drawings takes place at user's own risk and under exclusion of any liability of TOTO Europe GmbH and/or of the companies of the TOTO-Group. The indicated dimensions are not binding; products are subject to change. Measurements shown may be subject to small variations or are indicative.
		1:10	
		Signed T.G.	
		Date	25/04/2016