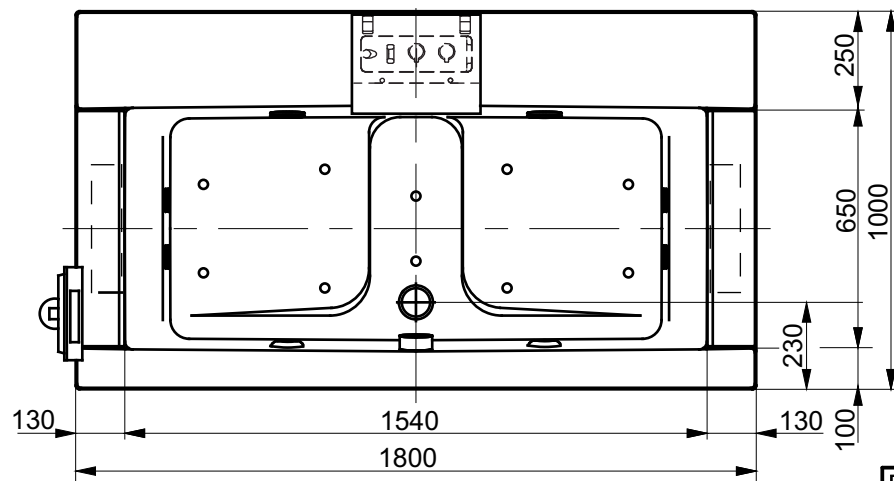
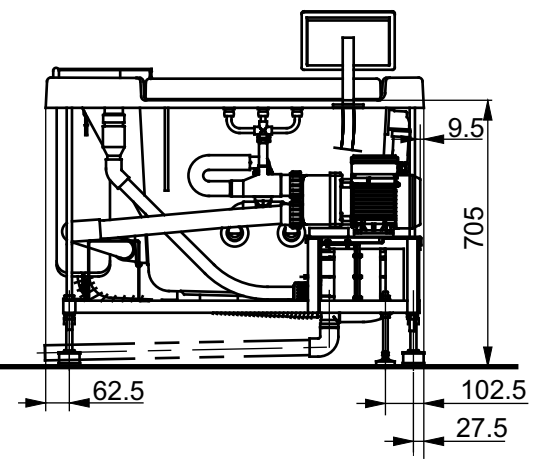
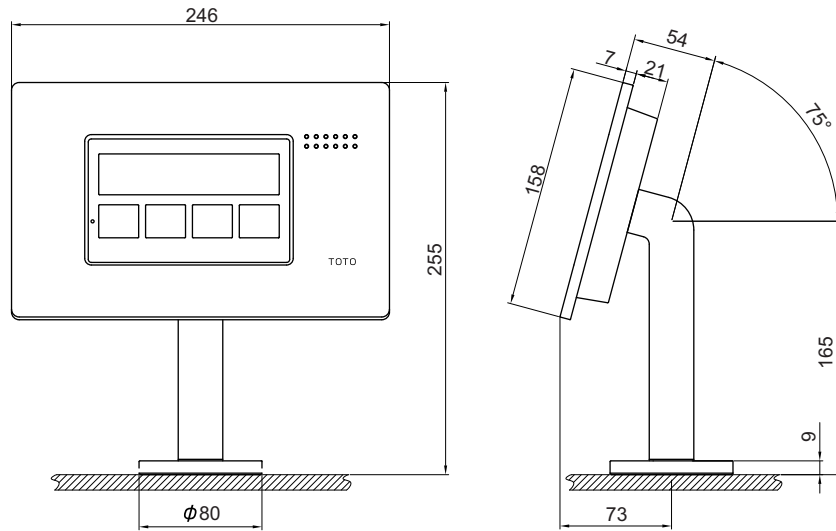


±0=OKFFB

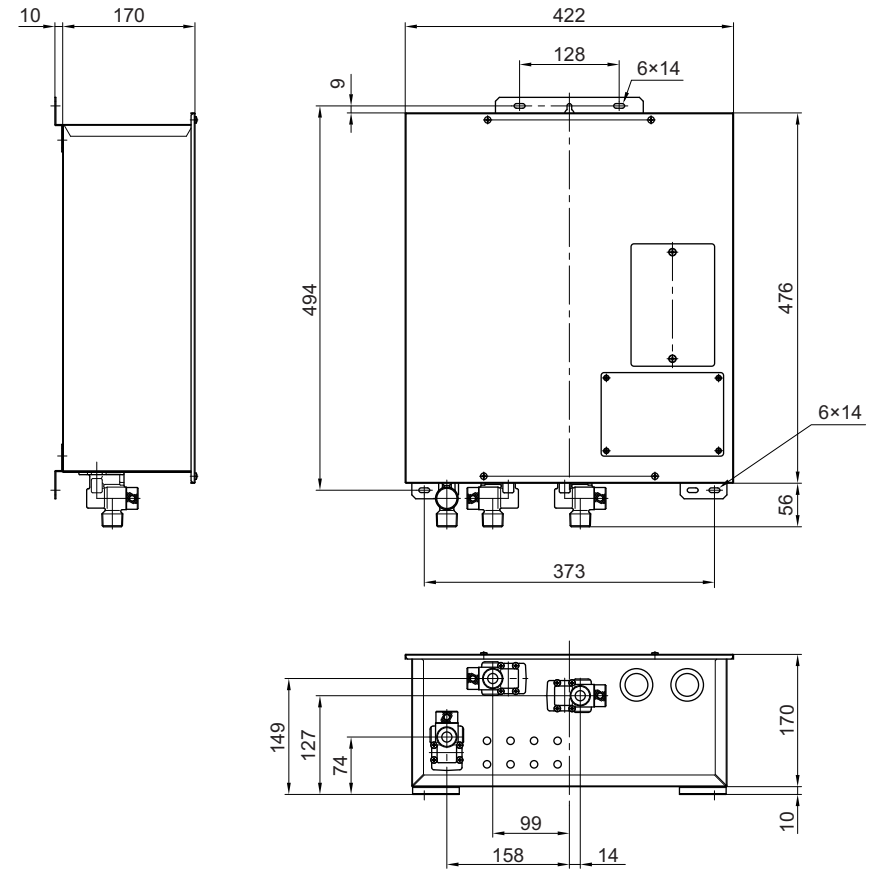


Designation		TOTO	
NEOREST SERIES SE Whirlpool Bathtub PKZ1810E			
Altered		Scale 1:20	
		Signed	T.G.
		Date	12/07/13
			This drawing including the respective data may neither be duplicated nor modified nor altered without the consent of TOTO Europe GmbH. The usage of the data/technical drawings takes place at user's own risk and under exclusion of any liability of TOTO Europe GmbH and/or of the companies of the TOTO-Group. The indicated dimensions are not binding; products are subject to change. Measurements shown may be subject to small variations or are indicative.

□ Controller stand / Halterung der Bedieneinheit / Socle du contrôleur / Supporto del controller



□ Function module / Funktionseinheit / Module fonctionnel / Modulo delle funzioni



Designation		TOTO	
NEOREST SERIES SE Whirlpool Bathtub PKZ1810A			
Altered		Scale	
		Signed	T.G.
		Date	12/07/13

This drawing including the respective data may neither be duplicated nor modified nor altered without the consent of TOTO Europe GmbH. The usage of the data/technical drawings takes place at user's own risk and under exclusion of any liability of TOTO Europe GmbH and/or of the companies of the TOTO-Group. The indicated dimensions are not binding; products are subject to change. Measurements shown may be subject to small variations or are indicative.