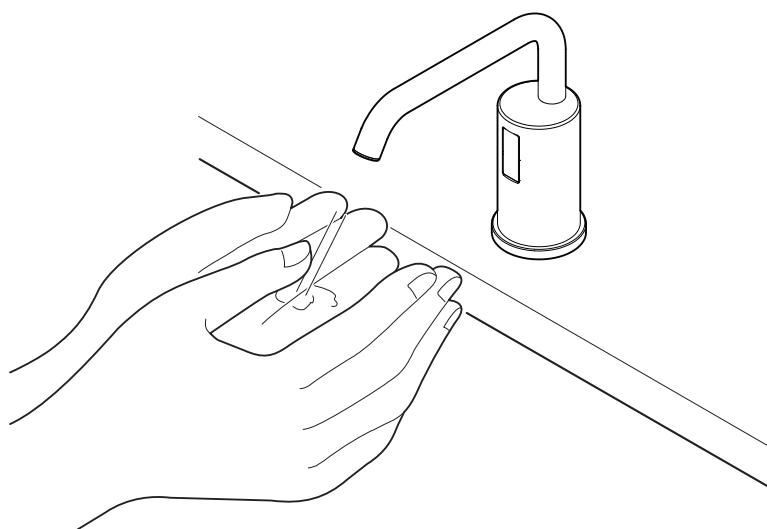


Installation and Owner's Manual
Manuel d'installation et d'utilisation
Manual de Instrucciones y del Propietario
Installations- und Bedienungsanleitung

TOTO®

Automatic Soap Dispenser
Distributeur automatique de savon
Soap Dispenser automatico
Automatischer Seifenspender



DSE101EEB
DSE101EEC
DSE101KE

Please visit our site <http://eu.toto.com/>
Veuillez consulter notre site <http://eu.toto.com/>

Head Office TOTO Europe GmbH
Firmensitz Zollhof 2, 40221 Düsseldorf GERMANY
Siège social Tel: +49(0)700 8686 0700
Sede centrale

Gli utenti sono invitati a visitare il sito Web <http://eu.toto.com/>
Besuchen Sie unsere Website <http://eu.toto.com/>

© TOTO Ltd. All rights reserved. Printed in China.
© TOTO Ltd. Alle Rechte vorbehalten. Gedruckt in China.
© TOTO Ltd. Tous droits réservés. Imprimé en Chine.
© TOTO Ltd. Tutti i diritti riservati. Stampato in Cina.

TABLE OF CONTENTS

Thank You for Choosing TOTO!	2
Warnings	2
Before Installation	3
Included Parts	3
Common Tools Needed	3
Position of the Dispenser and Tank	4
Installation Procedure	5-9
Testing	10
How to Use this Product	10
Refilling the Soap	11
Replacing the Battery [DC Type]	12
Care and Cleaning	12-13
Periodic Maintenance	13
Long-term suspension of use	13
Troubleshooting	14
Specifications	14
Caution	14
Warranty	15
Rough-In Dimensions	16

THANK YOU FOR CHOOSING TOTO!

The mission of TOTO is to provide the world with healthy, hygienic and more comfortable lifestyles. We design every product with the balance of form and function as a guiding principle. Congratulations on your choice.

WARNINGS

Please read and adhere to the following notes. Failure to do so could result in personal injury and/or property damage.

- No person other than a service engineer should disassemble, repair or modify this dispenser, unless it is specifically described in this manual. Failure to do so may result in electric shock or product malfunction, or invalidation of warranty.
- Do not use this dispenser in a humid location where condensation may collect on the surface, especially in a sauna or steam room.
- Do not strike or kick the dispenser or controller box, as this may damage the unit or cause a leak.
- Do not use this dispenser if the room temperature drops below freezing.
- Make sure the power cord does not come in contact with the hot water supply line
- Avoid placing any objects within the detection range of the infrared sensor.
- Use only TOTO approved liquid soap.
- Make sure the electrical outlet is in a position where it will not get wet during use.
- The appliance is only to be used with the AC adaptor provided:
AC adaptor model GPBSW0601500WD00 for DSE101EEB;
AC adaptor model GPUSW0601500WD00 for DSE101EEC.
- This appliance can be used by children aged from 8 years and above and persons with reduced physical, sensory or mental capabilities or lack of experience and knowledge if they have been given supervision or instruction concerning use of the appliance in a safe way and understand the hazards involved.
- Children shall not play with the appliance.
- Cleaning and user maintenance shall not be made by children without supervision.
- Always keep the AC adaptor dry. Far away from the water mains or the place that water splashed easily.

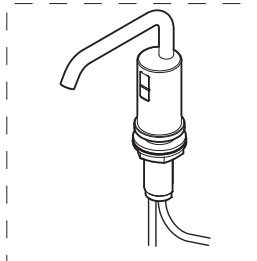
BEFORE INSTALLATION

- Read these instructions carefully to ensure proper installation.
- TOTO reserves the right to update product design without notice.
- Check to make sure you have the parts indicated on the following page.

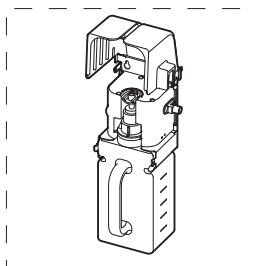
ENGLISH

INCLUDED PARTS

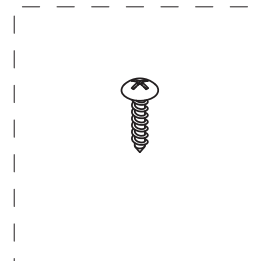
Spout Assembly



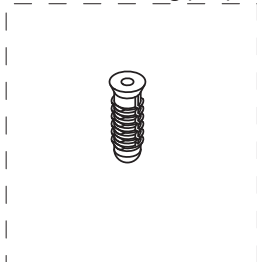
Controller



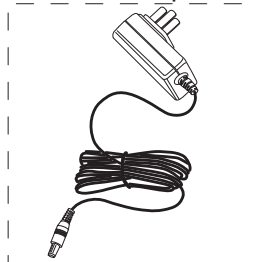
Self-tapping Screw(X3)



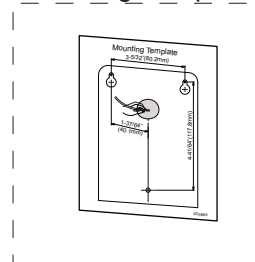
Wall Plug(X3)



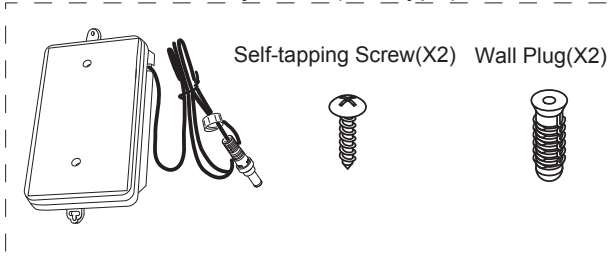
AC Adapter



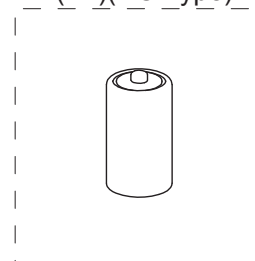
Mounting Template



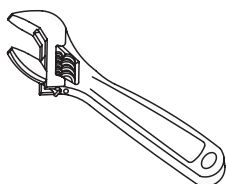
Battery Case (DC Type)



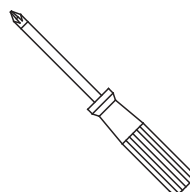
Alkaline Battery(D 1.5V)
(X4)(DC Type)



COMMON TOOLS NEEDED



Adjustable Wrench



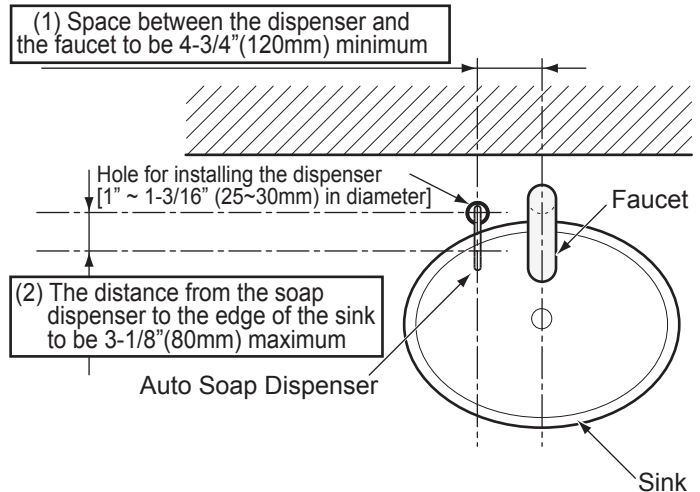
Screwdriver (Phillips)

POSITION OF THE DISPENSER AND TANK

ENGLISH

Position of the Dispenser

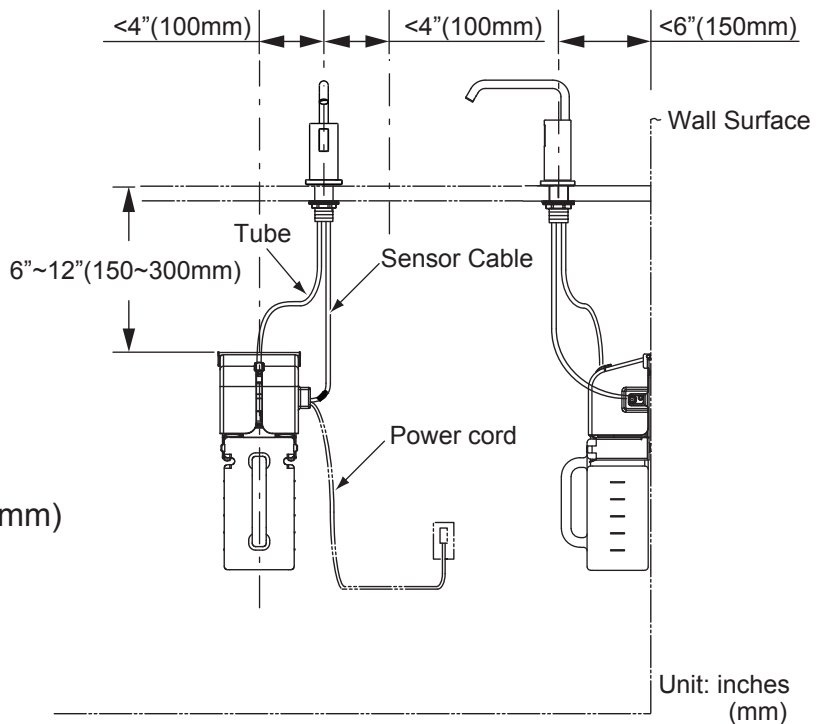
1. Be sure to leave at least 4-3/4" (120mm) of space between the soap dispenser and the faucet to prevent accidental activation.
2. Leave 3-1/8"(80mm) of space maximum from the inside edge of the sink to the spout installation hole to ensure that any residual soap drips from the dispenser spout into the sink bowl.



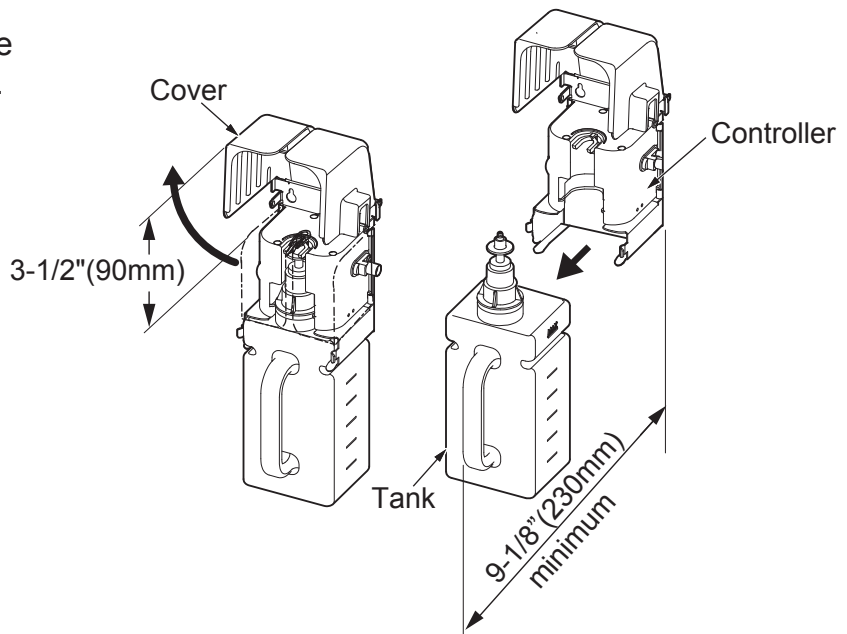
Position of the Tank

1. When installing the controller, make sure that the tube and cables can reach the tank.
2. If the tube is too long, please cut it to suitable length.

Tube length: 17-3/4"(450mm)
 Sensor cable length: 19-3/4"(500mm)
 Power cord length: 59"(1500mm)

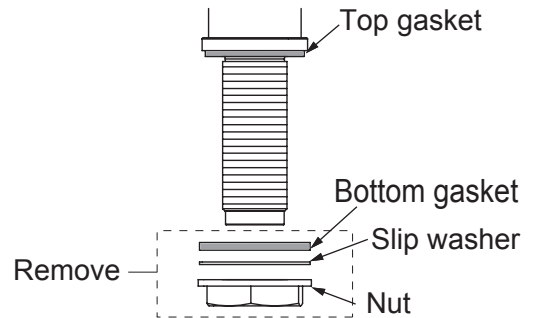


3. Be sure there is adequate space for refilling/replacing soap tank.



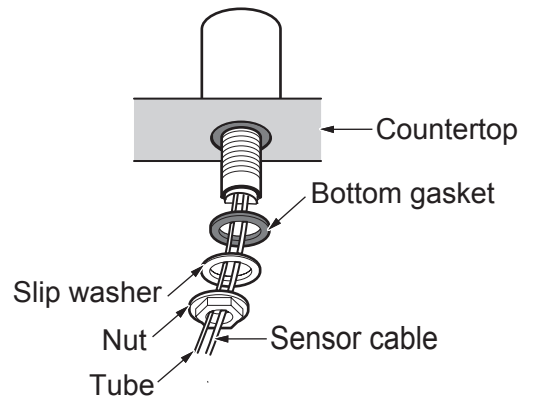
INSTALLATION PROCEDURE - Spout

1. Remove nut, slip washer and bottom gasket.

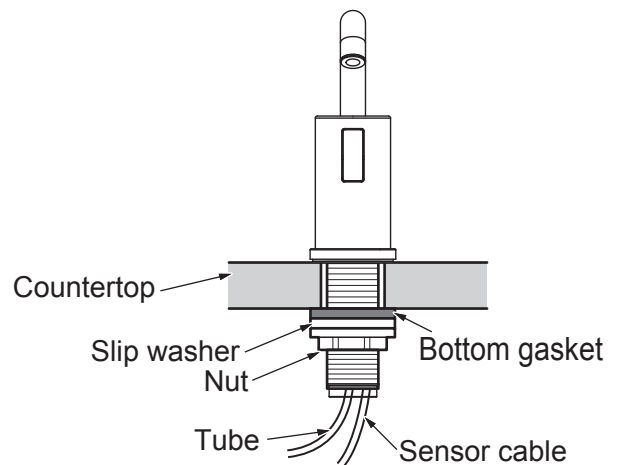


2. Install the spout on the countertop.

3. Install bottom gasket, slip washer and nut in that order.



4. Confirm the alignment of spout and tighten nut.



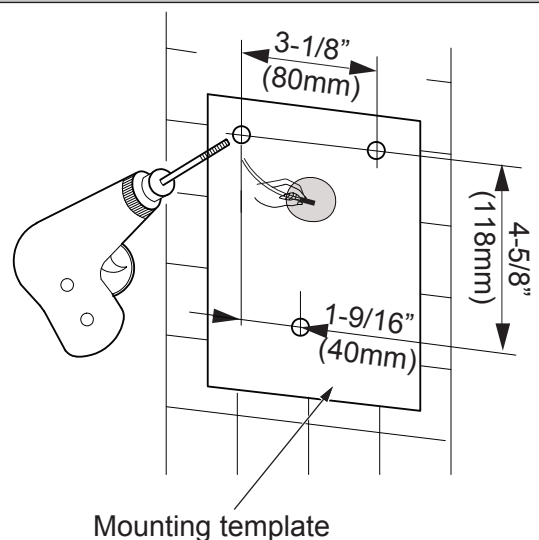
INSTALLATION PROCEDURE - Controller

1. Select the position of the controller and layout the mounting template.
Make sure the sensor cable and soap tube can reach the mounting template.

2. Mark the location of the mounting holes.

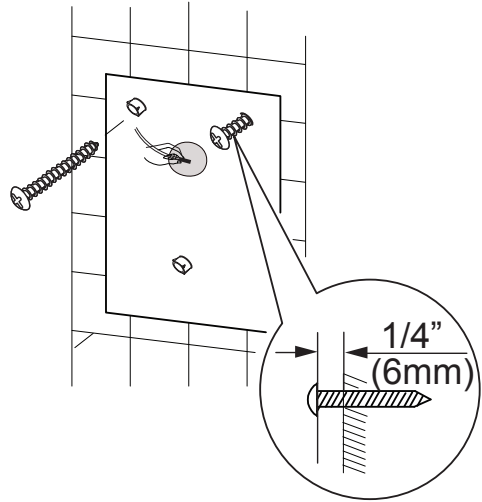
3. Drill 3 holes.
Depth : 1" (25mm)
Size: 7/64" (3mm) without wall plug
1/4" (7mm) with wall plug

Important: Mounting template to be level.

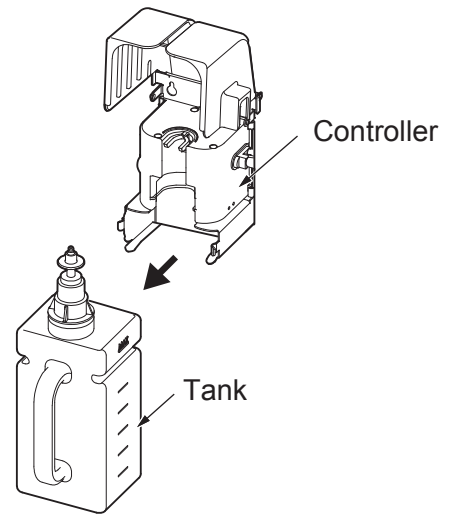


4. Insert self-tapping screws into the upper two holes until there is a 1/4" (6mm) gap between head of screw and wall.

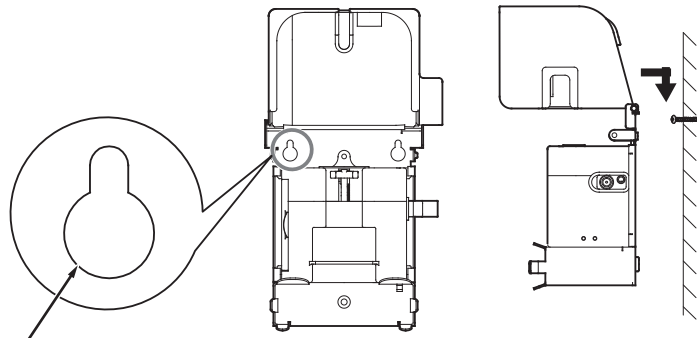
Use wall plugs if necessary.



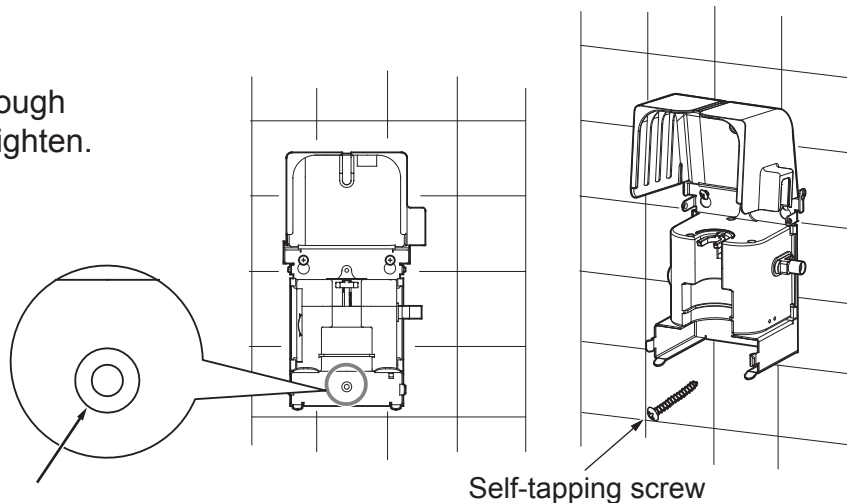
5. Remove the tank from controller.



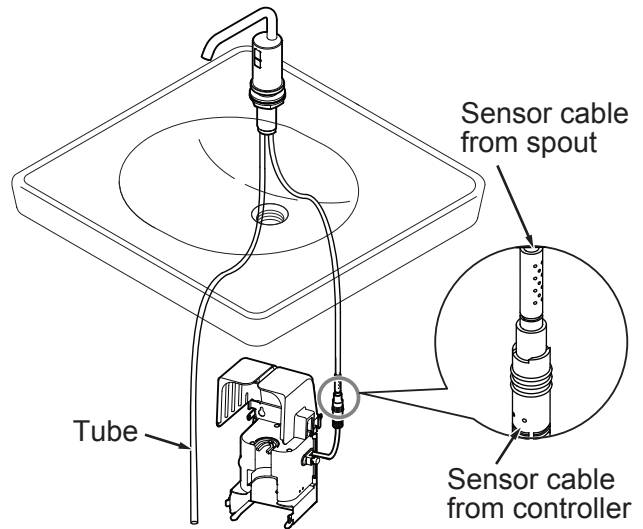
6. Hang the controller on the two screws.



7. Insert a self-tapping screw through bottom hole of controller and tighten.



8. Connect sensor cables.



INSTALLATION PROCEDURE - Tank

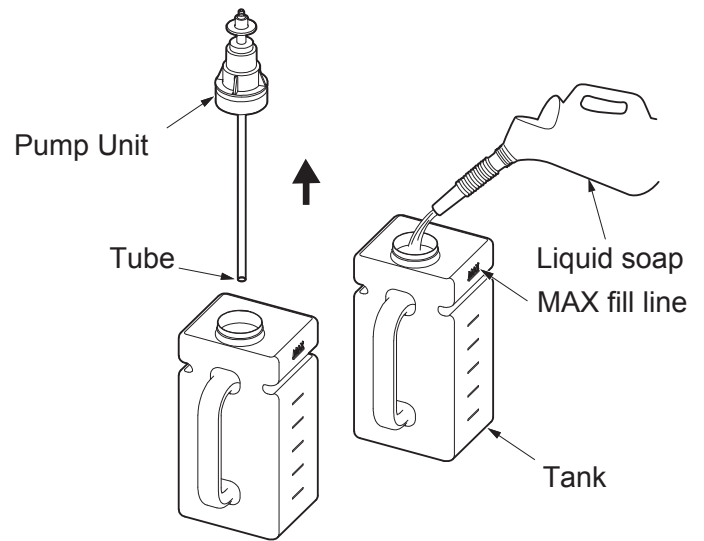
1. Remove pump unit from the tank.

2. Slowly pour liquid soap into the tank.

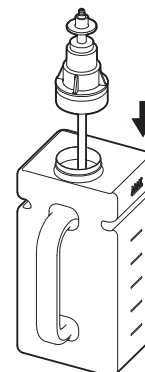
NOTE: Keep pump unit clean while filling soap, especially keep tube of pump off from floor.

NOTE: Fill the tank up to MAX fill line.

NOTE: Use only TOTO approved liquid soap.

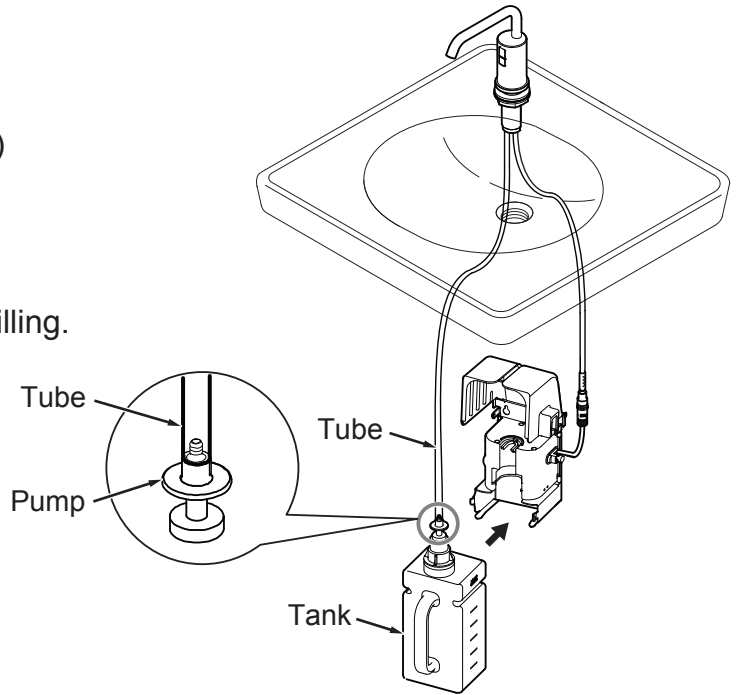


3. Replace the pump by pushing it down firmly over the tank opening until it snaps in place.



4. Connect the tube to pump.
(Insert the barb into the tube fully)

NOTE: Make sure that the tube is not too long to prevent contacting the floor while the tank is removed for refilling.



5. Mount the tank to the controller.

INSTALLATION PROCEDURE - Connection to Power Supply

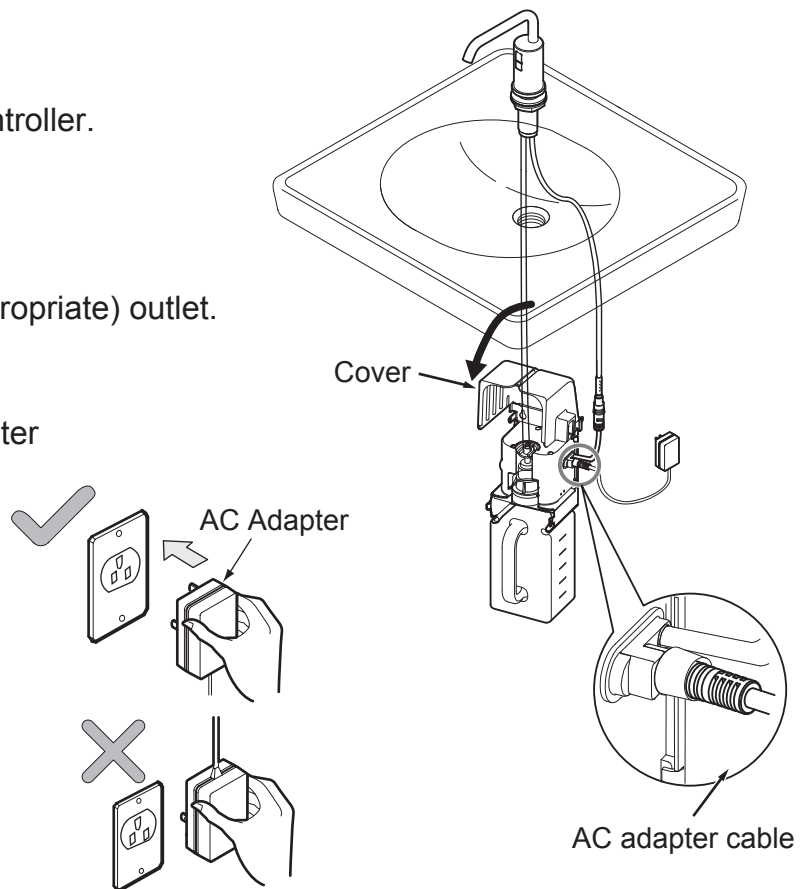
NOTE: Prepare an outlet position in advance that conforms to the regulations in your country.

[AC Type]

1. Connect AC adapter cable to controller.
2. Plug the AC adapter into an (appropriate) outlet.

NOTE: Do not plug in the AC adapter upside down.

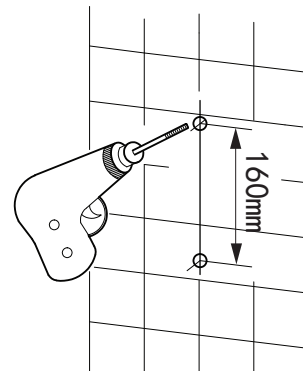
3. Close the cover.



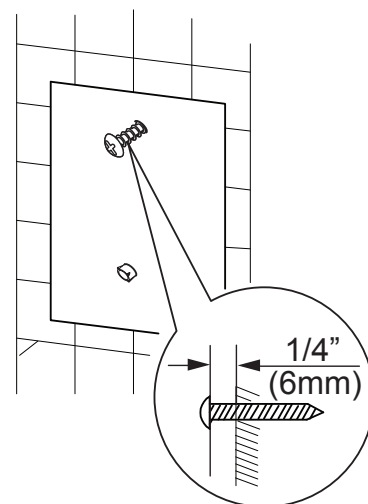
INSTALLATION PROCEDURE - Battery Box

[DC Type]

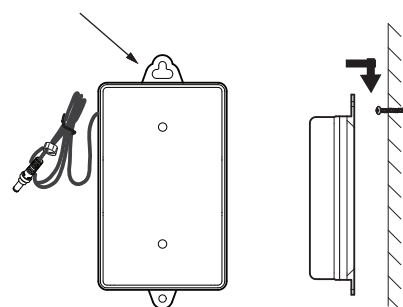
1. Select position for the battery case.
Make sure the power supply cable is capable of reaching the controller.
2. Mark the location of the mounting holes.
3. Drill 2 holes. Depth : 1"(25mm)
Size : 7/64" (3mm) without anchor
1/4" (7mm) with anchor



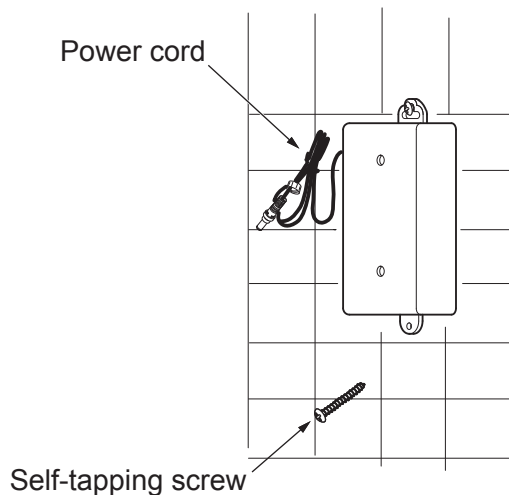
4. Insert a self-tapping screw into upper hole until there is a 1/4"(6mm) gap between head of screw and wall.
Use wall plugs if necessary.



5. Hang the battery case on the screw.



6. Insert a self-tapping screw through bottom hole of case and tighten.
7. Connect power cord to controller.

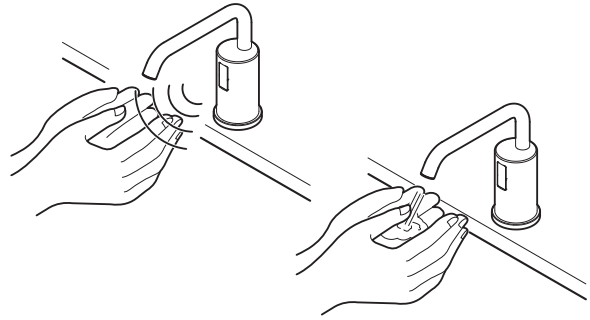


TESTING

After installation is complete, confirm that the dispenser is working properly using the following method.

1. Place your hands under the spout and hold them in place until soap is discharged.

NOTE: Make sure there is no soap leaking from the tube and connections.

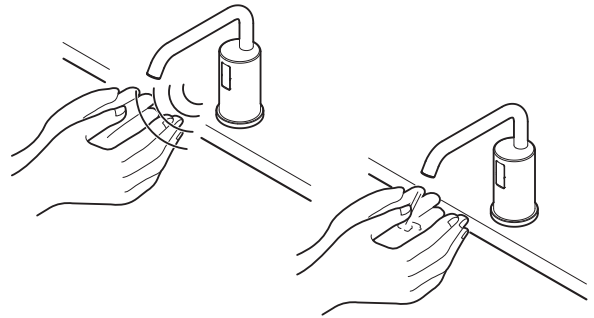


ENGLISH

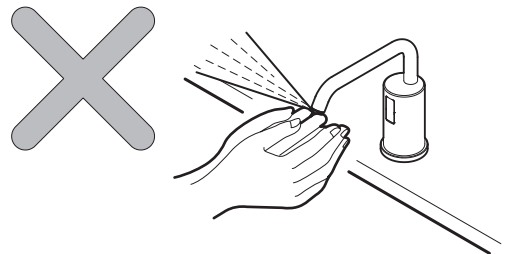
HOW TO USE THIS PRODUCT

Place hands under spout.

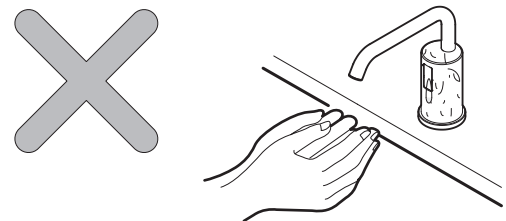
- Proper amount of soap is dispensed automatically.



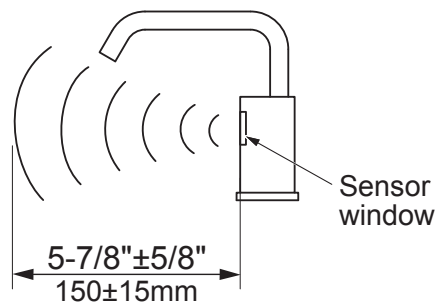
Caution: Please do not obstruct the spout opening.
The soap might go flying off in an unexpected direction.



Caution: Please do not put liquid soap on the spout. If the sensor gets dirty, it could cause malfunction.

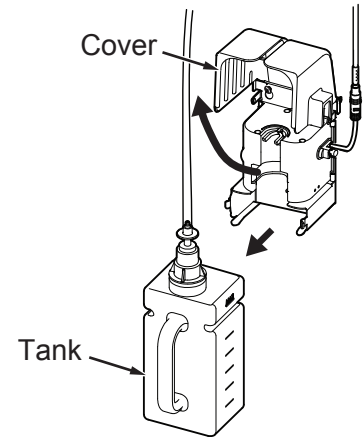


Sensor sensing range is
 $5\text{-}7/8\text{''}\pm 5/8\text{''}$ ($150\text{mm}\pm 15\text{mm}$).

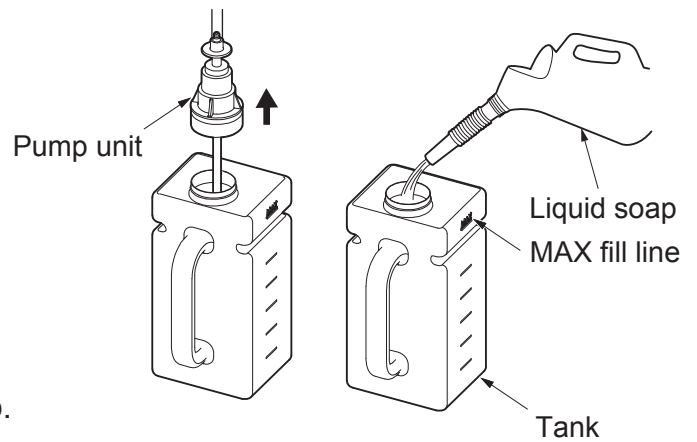


REFILLING THE SOAP

1. Open the cover.
2. Remove the tank from the controller.



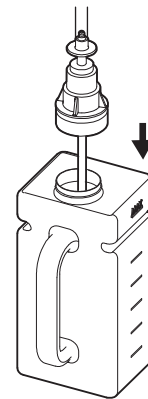
3. Remove pump unit from the tank.



4. Slowly pour liquid soap into the tank.

NOTE: Clean container before refilling.
NOTE: Fill the tank up to MAX fill line.
NOTE: Use only TOTO approved liquid soap.

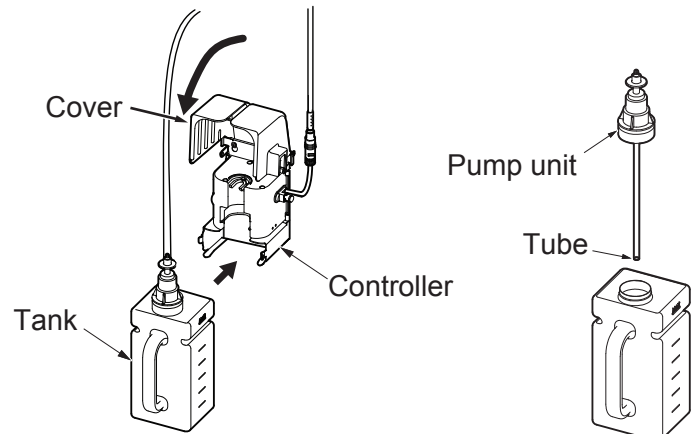
5. Replace the pump by pushing it down firmly over the tank opening until it snaps in place.



6. Mount the tank to the controller.

7. Close the cover.

8. Fill the tube by holding the hands under the spout until soap is discharged. The dispenser can be activated up to ten times consecutively while holding hands under the spout immediately after refilling .



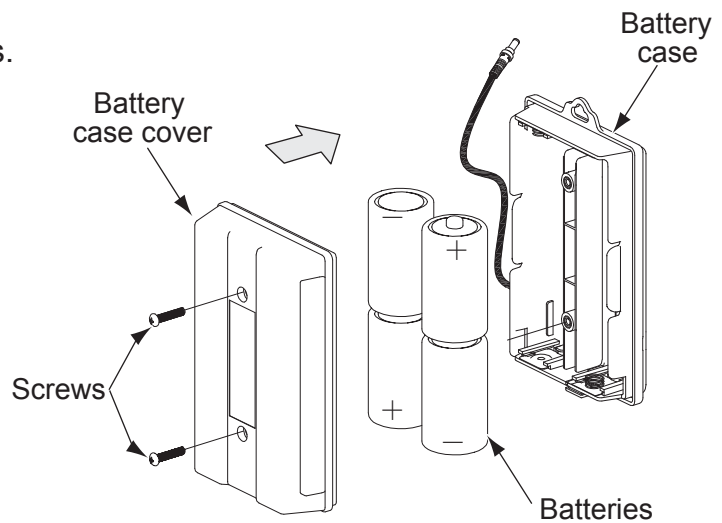
REPLACING THE BATTERY [DC Type]

1. Remove cover of battery case.
2. Install four (4) D size alkaline batteries.

NOTE: Make sure the batteries are installed in correct orientation (polarity).

3. Replace battery case cover.
4. Tighten screws.

- The standard life cycle time is 2 years, based on average use 2000 times/month.



CARE AND CLEANING

- **For Light Cleaning**

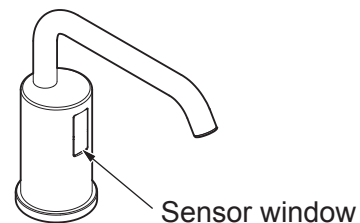
Wipe away any debris adhering to the spout or sensor.

- **For Heavy-Duty Cleaning**

Wipe away debris with a damp cloth containing a suitable amount of a neutral, dishwashing detergent. Then wipe clean with a damp cloth.



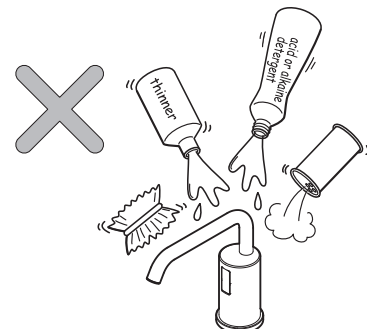
- When cleaning around the sensor, please be careful not to scratch the surface of the sensor window.



- Do not use detergent that might damage the surface of spout.

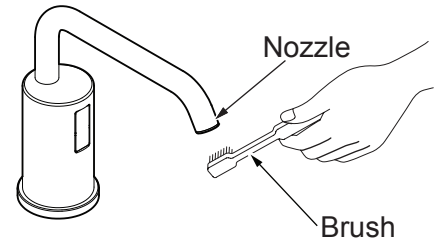
These include:

- Detergents containing acid, chlorine bleach or alkali.
- Detergents that are coarse granules in nature, such as polishing powder.
- Solvents such as paint thinner or benzene.
- Abrasive aids such as nylon scrubbers/brushes, steel wool, etc.



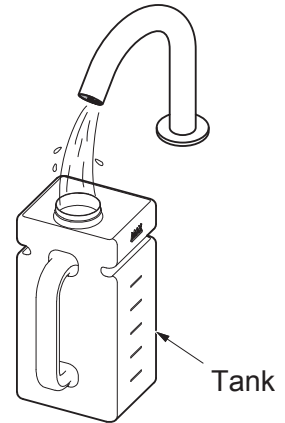
- **For Nozzle Cleaning**

Clean the nozzle with a soft brush to remove any dirt from the screen.



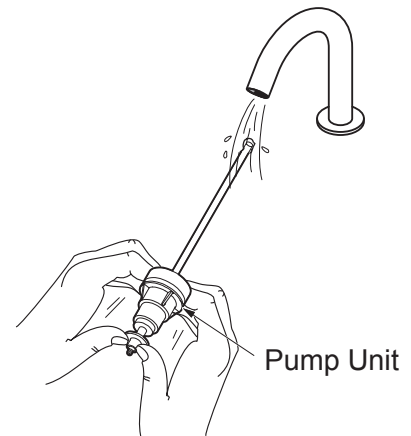
- **For Tank Cleaning**

Wash tank out with water to keep it clean.



- **For Pump Unit Cleaning**

If the pump sticks or backflow occurs, wash pump unit with water while holding upside down and manually squeeze pump several times.



PERIODIC MAINTENANCE

- **Once a month:**

1. Check all tube connections for any signs of leakage.
2. Wipe away any dust on AC adapter [AC type only].

- **Twice a year:**

1. Check all fixed connections and tighten as needed.

LONG-TERM SUSPENSION OF USE

If there will be long periods of time where the dispenser will not be used, remove all soap from dispenser using the following method.

1. Remove soap from tank and wash the tank out with water.
2. Fill the tank with water and set up the dispenser as usual.
3. Flush the tube with water by the dispenser until no soap comes out from the spout. Refill water if necessary.
4. Discard any water left in tank and let it dry.
5. Place the tank back into the controller.
6. Disconnect the power supply until and proceed with "REFILLING THE SOAP".

TROUBLESHOOTING

Problem	Operating	Cause	Solution
No soap comes out	Green LED flashing	Soap is low	Fill tank with liquid soap.
	Red LED flashing	Battery is low	Replace batteries.
	Green LED solid on	Pump is sticking	Clean the pump unit.
		Soap viscosity is high	Change to TOTO approved liquid soap.
	-	Sensor window is dirty	Clean sensor window.
	-	Sensor cable is disconnected	Connect cable.
	-	There is an obstruction in front of sensor window	Remove the obstruction.
	-	Power supply (AC adapter or battery box) is disconnected	Connect cable.
-	Tube is disconnected	Connect tube.	
Soap won't stop running	-	AC adapter is not plugged in	Plug in the AC adapter.
	-	Sensor window is dirty	Clean sensor window.
Soap comes out unexpectedly	-	There is an obstruction in front of sensor window	Remove the obstruction.
	-	Sensor window is dirty	Clean sensor window.
Amount of dispensed soap is small	-	Soap will be automatic dispersed after 48 hours of non-usage to prevent clogging.	-
	-	Pump is not working correctly	Clean the pump unit.

SPECIFICATIONS

Type	DSE101EEB	DSE101EEC	DSE101KE
Power supply	AC AC 100~240V	AC AC 100~240V	DC 4×D 1.5V alkaline batteries
Sensor detection range	5-7/8"±5/8"(150mm±15mm)		
Ambient temperature	32~104°F (1~40°C)		
Humidity	Max. 90% RH		
Soap volume	0.03-0.04 oz (0.8-1.2ml)		
Tank capacity	50 oz (1500ml)		
AC adaptor	GPBSW0601500WD00	GPUSW0601500WD00	/
Input	100-240 VAC, 50/60 Hz		/
Output	6,0 VDC, 1500 mA		/

CAUTION

Correct Disposal of this product



This marking indicates that this product should not be disposed with other household wastes throughout the EU. To prevent possible harm to the environment or human health from uncontrolled waste disposal, recycle it responsibly to promote the sustainable reuse of material resources. To return your used device, please use the return and collection systems or contact the retailer where the product was purchased. They can take this product for environmental safe recycling.

WARRANTY

ENGLISH

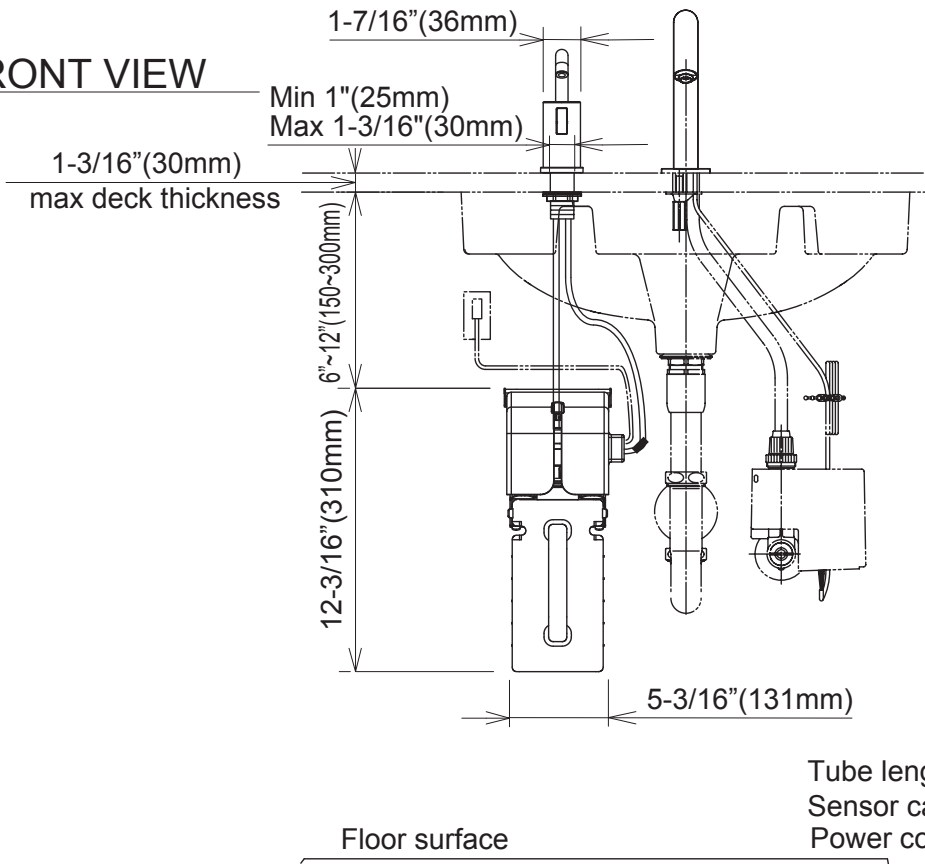
LIMITED TWO YEARS WARRANTY

1. TOTO warrants its products to be free from manufacturing defects under normal use and service for a period of two (2) years from the date of purchase. This warranty is extended only to the ORIGINAL PURCHASER.
2. TOTO's obligations under this warranty are limited to repair or replacement, at TOTO's option, of products or parts found to be defective, provided that such products were properly installed and used in accordance with this OWNER'S MANUAL. TOTO reserves the right to make such inspections as may be necessary to determine the cause of the defect. TOTO will not charge for labor or parts in connection with warranty repairs or replacements.
TOTO is not responsible for the cost of removal, return and/or reinstallation of products.
3. This warranty does not apply to the following items:
 - a) Damage or loss sustained in a natural calamity such as fire, earthquake, flood, thunder, electrical storm, etc.
 - b) Damage or loss resulting from any unreasonable use, misuse, abuse, negligence, or improper maintenance of the product.
 - c) Damage or loss resulting from removal, improper repair, or modification of the product.
 - d) Damage or loss resulting from sediments or foreign matter contained in a water system.
 - e) Damage or loss resulting from the quality of water in the region where the product is used.
 - f) Damage or loss resulting from improper installation or from installation of a unit in a harsh and/or hazardous environment.
4. This warranty gives you specific legal rights. You may have other rights which vary from country to country.
5. To obtain warranty repair service under this warranty, you must take the product or deliver it prepaid to a TOTO service facility, together with a letter stating the problem, or contact a TOTO distributor or product service contractor, or directly to TOTO sales office. If, because of the size of the product or nature of the defect, the product can not be returned to TOTO, receipt by TOTO of written notice of the defect shall constitute delivery. In such case, TOTO may choose to repair the product at the purchaser's location or pay to transport the product to a service facility.

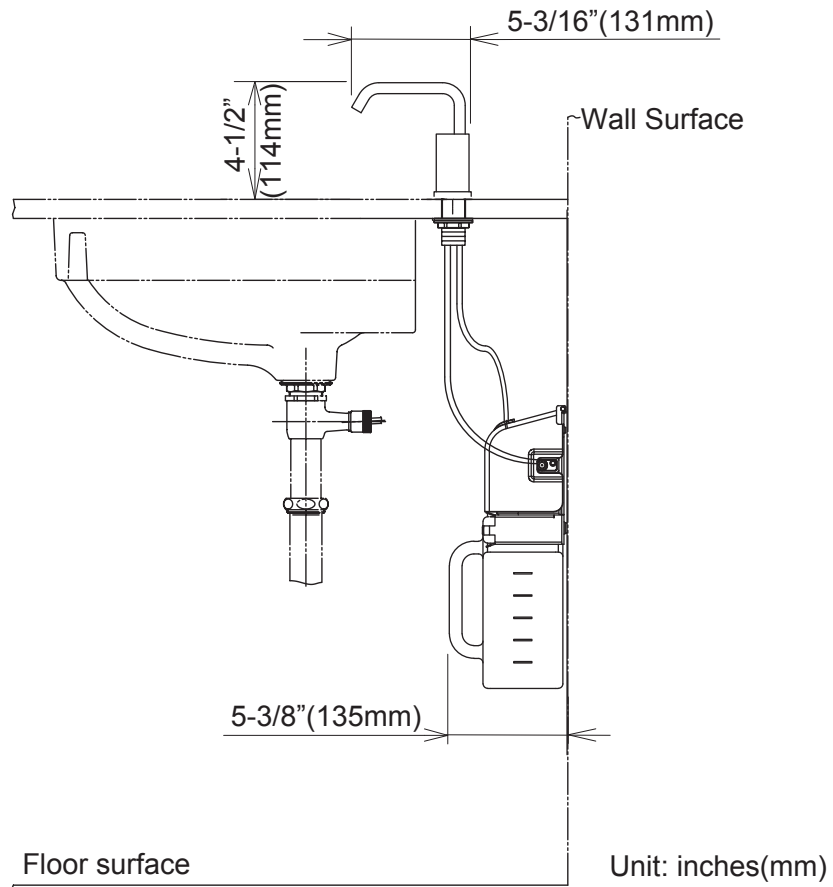
THIS WRITTEN WARRANTY IS THE ONLY WARRANTY MADE BY TOTO. REPAIR OR REPLACEMENT AS PROVIDED UNDER THIS WARRANTY SHALL BE THE EXCLUSIVE REMEDY AVAILABLE TO THE PURCHASER. TOTO SHALL NOT BE RESPONSIBLE FOR LOSS OF USE OF THE PRODUCT OR FOR OTHER INCIDENTAL, SPECIAL, OR CONSEQUENTIAL DAMAGE OR EXPENSES INCURRED BY PURCHASER, OR FOR LABOR OR OTHER COSTS DUE TO INSTALLATION OR REMOVAL, OR COSTS OF REPAIRS BY OTHERS, OR FOR ANY OTHER EXPENSE NOT SPECIFICALLY STATED ABOVE. EXCEPT TO THE EXTENT PROHIBITED BY APPLICABLE LAW, ANY IMPLIED WARRANTIES, INCLUDING THAT OF MERCHANTABILITY OR FITNESS FOR USE, ARE EXPRESSLY LIMITED TO THE DURATION OF THIS WARRANTY. SOME STATES DO NOT ALLOW LIMITATIONS ON HOW LONG AN IMPLIED WARRANTY LASTS, OR THE EXCLUSION OR LIMITATION OF INCIDENTAL OR CONSEQUENTIAL DAMAGE, SO THE ABOVE LIMITATION AND EXCLUSION MAY NOT APPLY TO YOU.

ROUGH - IN / DIMENSIONS

FRONT VIEW



SIDE VIEW



ENGLISH

TABLE DES MATIÈRES

Merci d'avoir choisi TOTO!	17
Avertissements	17-18
Avant l'installation	18
Pièces Incluses	18
Outils communs requis	18
Installation du distributeur et du réservoir	19
Procédure d'installation	20-24
Essai	25
Comment utiliser ce produit	25
Remplissage de savon	26
Remplacement des pile [Type CC]	26
Soin et nettoyage	27
Entretien périodique	28
Suspension à long terme de l'utilisation	28
Dépannage	29
Caractéristiques techniques	29
Attention	29
Garantie	30
Dimensions de robinetterie brute	31

MERCI D'AVOIR CHOISI TOTO!

La mission de TOTO est d'offrir au monde entier un style de vie sain, hygiénique et plus confortable. Comme principe de base, nous concevons chaque produit de manière à proposer un équilibre entre la forme et la fonction. Félicitations pour votre choix.

AVERTISSEMENTS

Veillez lire et respecter les remarques suivantes. Le non-respect de cet avertissement pourrait entraîner des blessures et/ou des dommages.

- Personne d'autre qu'un technicien d'entretien ne doit démonter, réparer ou modifier ce distributeur, à moins que ce ne soit décrit spécialement dans ce manuel. Le non-respect de cette consigne pourrait entraîner une décharge électrique ou un problème de fonctionnement du produit.
- N'utilisez pas ce distributeur dans des endroits humides où la condensation pourrait s'accumuler à la surface, notamment dans un sauna ou un bain à vapeur.
- Ne frappez pas et ne donnez pas de coups de pied au distributeur ou au boîtier du contrôleur, car cela pourrait endommager l'appareil ou provoquer une fuite.
- N'utilisez pas ce distributeur si la température ambiante diminue au point de congélation.
- Assurez-vous que le câble d'alimentation n'entre pas en contact avec la conduite d'alimentation en eau chaude.
- Évitez de placer tout objet dans la zone de détection du capteur infrarouge.
- Utilisez uniquement un savon liquide approuvé par TOTO.
- Assurez-vous que la prise électrique est dans une position où il ne sera pas mouillé pendant l'utilisation.
- L'appareil doit être utilisé uniquement avec l'adaptateur secteur fourni :
Modèle d'adaptateur secteur GPBSW0601500WD00 pour DSE101EEB ;
Modèle d'adaptateur secteur GPUSW0601500WD00 pour DSE101EEC.

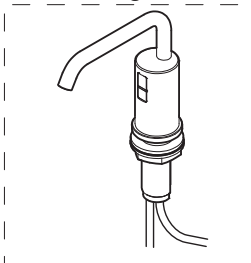
- Cet appareil peut être utilisé par des enfants âgés de 8 ans et plus et des personnes aux capacités physiques, sensorielles ou mentales réduites ou manquant d'expérience et de connaissances, s'ils sont surveillés ou ont été informés de la manière d'utiliser l'appareil en toute sécurité et comprennent les risques encourus.
- Les enfants ne doivent pas jouer avec l'appareil.
- Le nettoyage et l'entretien de la part de l'utilisateur ne doivent pas être effectués par des enfants sans surveillance.
- Gardez toujours l'adaptateur secteur au sec. Maintenez-le éloigné des canalisations d'eau ou des endroits pouvant facilement recevoir de l'eau.

AVANT L'INSTALLATION

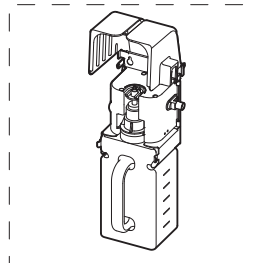
- Lisez ces instructions attentivement pour assurer une installation adéquate.
- TOTO se réserve le droit de modifier la conception du produit sans préavis.
- Assurez-vous d'avoir toutes les pièces indiquées à la page suivante.

PIÈCES INCLUSES

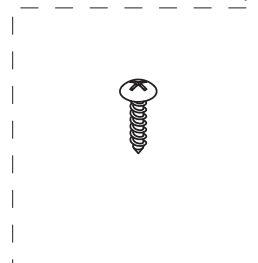
Assemblage du bec



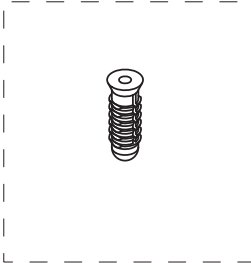
Contrôleur



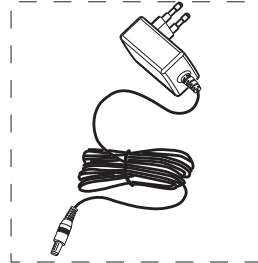
Vis auto-taraudeuse (x3)



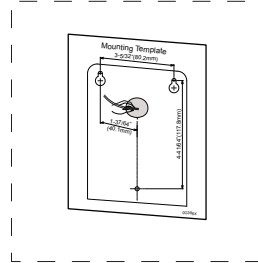
Ancrage (X3)



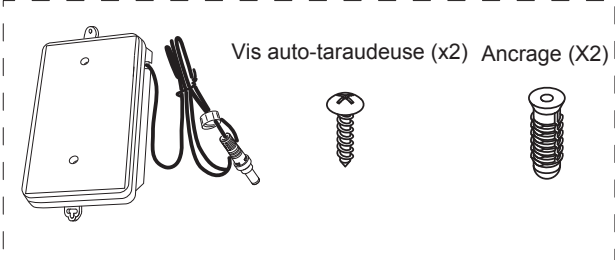
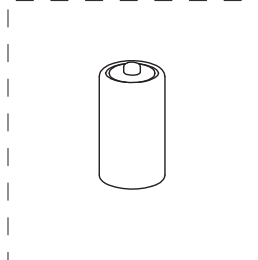
Adaptateur CA (Type CA)



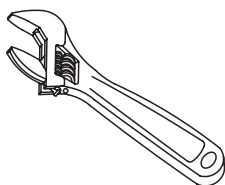
Gabarit de montage



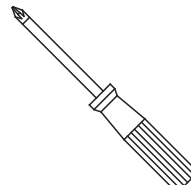
Logement des piles (Type CC)

Pile alcaline (1,5 V)
(x4) (Type cc)

OUTILS COMMUNS REQUIS



Clé ajustable

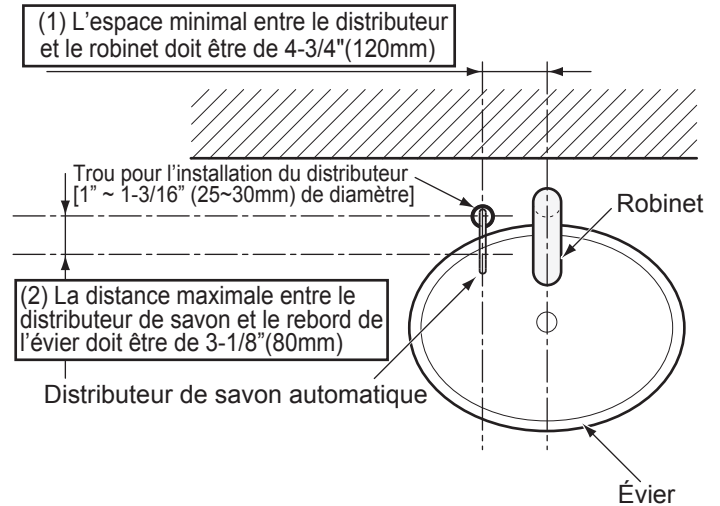


Tournevis (tête étoilée)

INSTALLATION DU DISTRIBUTEUR ET DU RÉSERVOIR

Position du distributeur

1. Assurez-vous de laisser un espace d'au moins 4-3/4" (120mm) entre le distributeur de savon et le robinet pour éviter une activation accidentelle.
2. Laissez un espace de 3-1/8" (80mm) entre le rebord interne de l'évier et les trous d'installation du bec pour vous assurer que le savon résiduel du bec de distributeur puisse s'égoutter dans l'évier.



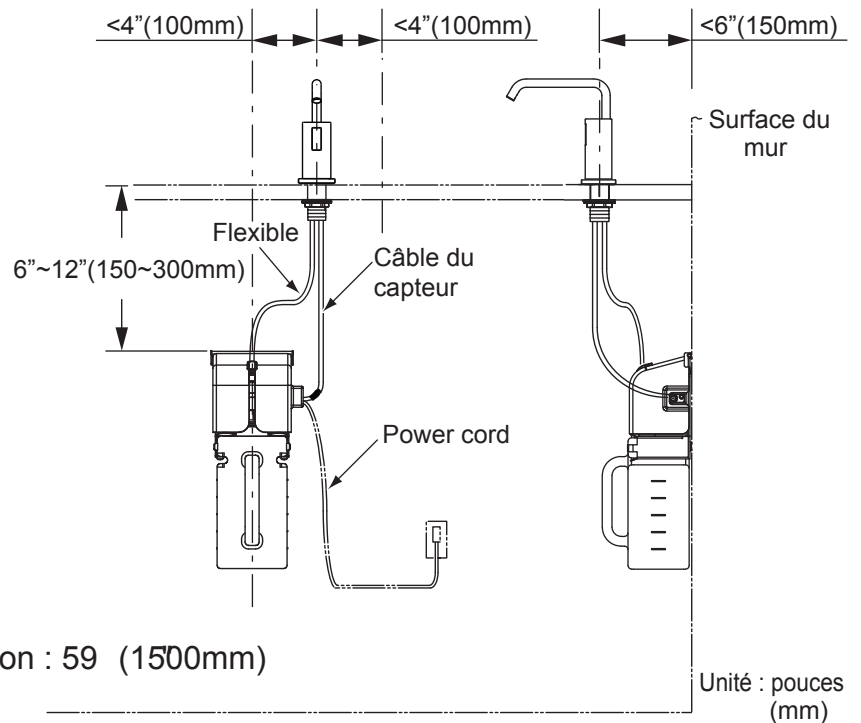
Position du réservoir

1. Lors de l'installation du contrôleur, assurez-vous que le tuyau et les câbles puissent atteindre le réservoir.
2. Si le tuyau est trop long, veuillez le couper à une longueur convenable

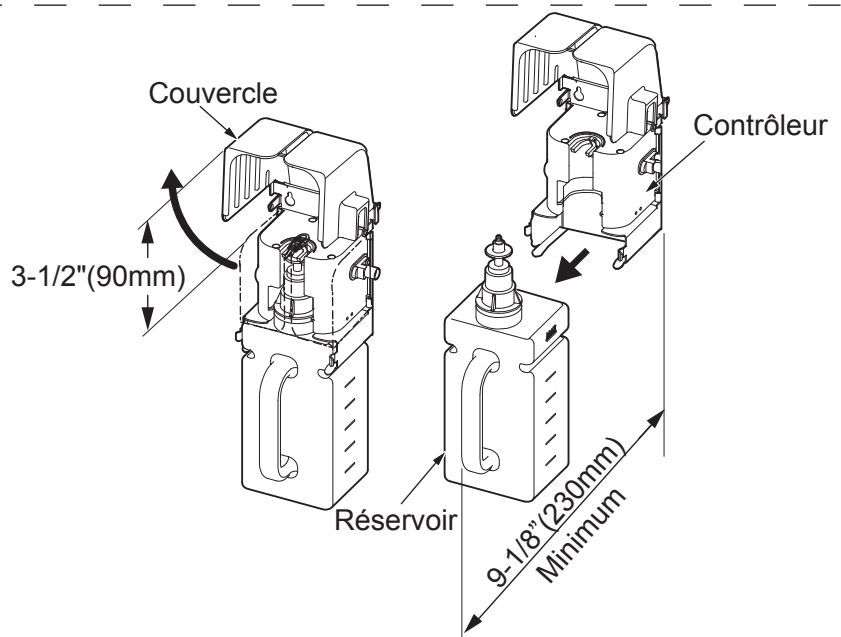
Longueur du flexible: 17-3/4" (450mm)

Longueur du câble du capteur : 19-3/4" (500mm)

Longueur du câble d'alimentation : 59 (1500mm)

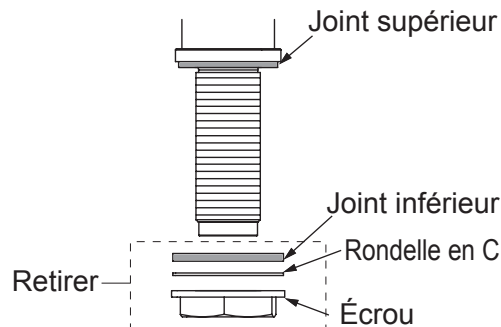


3. Assurez-vous qu'il y ait un espace adéquat pour le remplissage/la réinstallation du réservoir à savon.



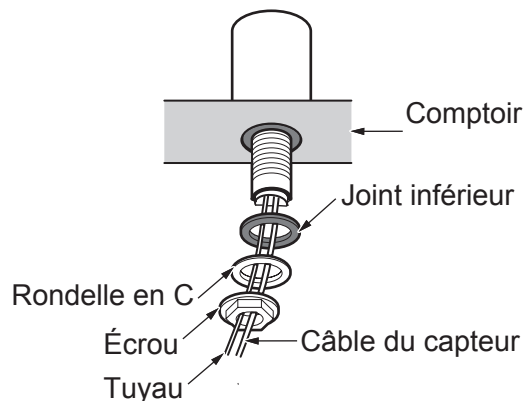
PROCÉDURE D'INSTALLATION – Bec

1. Retirez l'écrou, la rondelle en C et le joint inférieur.

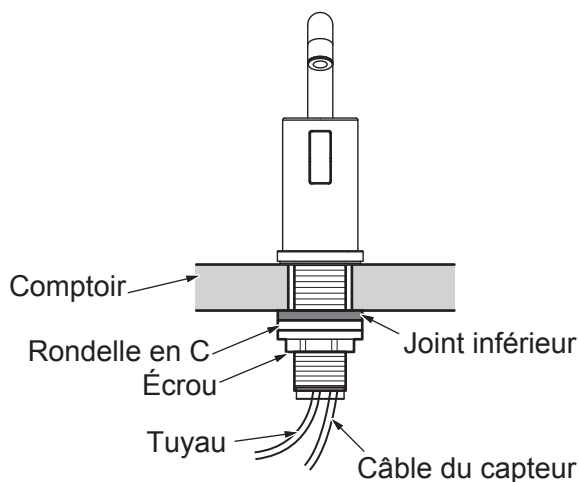


2. Installez le bec sur le comptoir.

3. Installez le joint inférieur, la rondelle en C et l'écrou dans cet ordre.



4. Confirmez l'alignement du bec et serrez l'écrou.



PROCÉDURE D'INSTALLATION – Contrôleur

1. Sélectionnez la position du contrôleur et le gabarit de montage pour la disposition souhaitée.

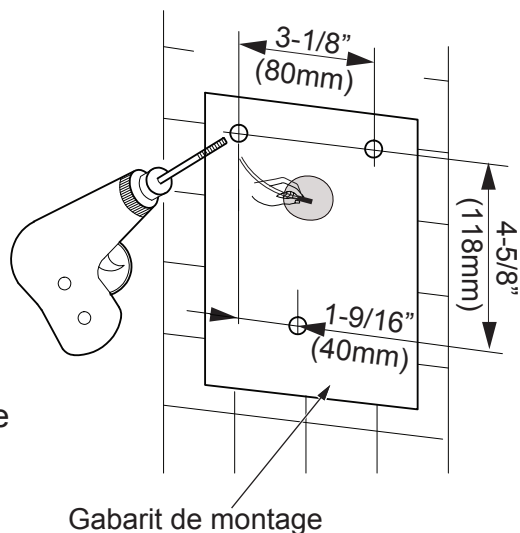
Assurez-vous que le câble du capteur et le tuyau du savon puissent atteindre le gabarit de montage.

2. Marquez l'emplacement des trous de montage.

3. Percez 3 trous.

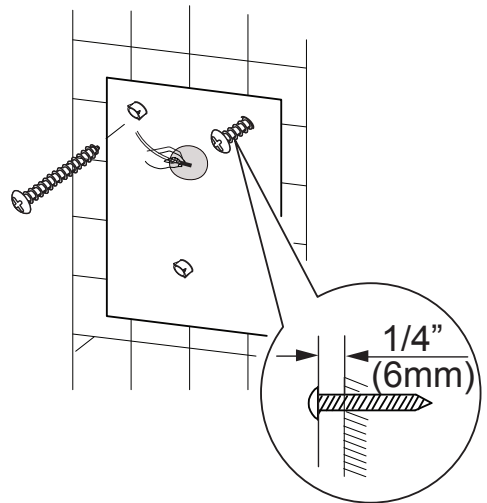
Profondeur des trous : 1" (25mm)
 Dimension : 7/64" (3mm) sans ancrage
 1/4" (7mm) avec ancrage

Important : Le gabarit de montage doit être de niveau.

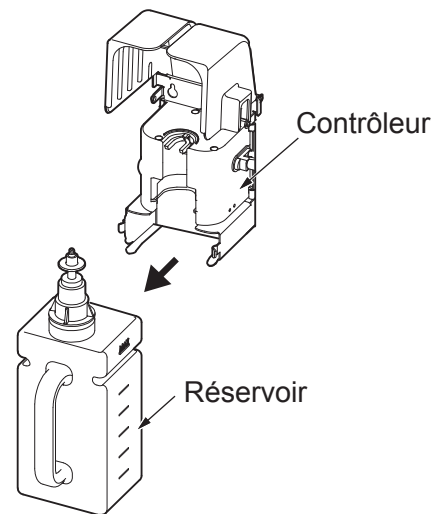


4. Insérez les vis auto-taraudeuses dans les deux trous supérieurs jusqu'à ce qu'il y ait un espace de 1/4" (6mm) entre la tête de la vis et le mur.

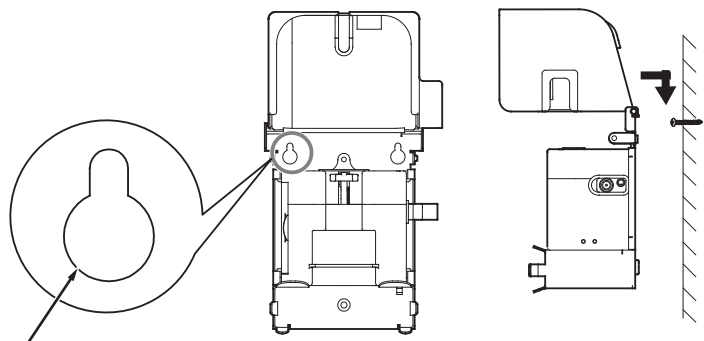
Utilisez des ancrages si nécessaire.



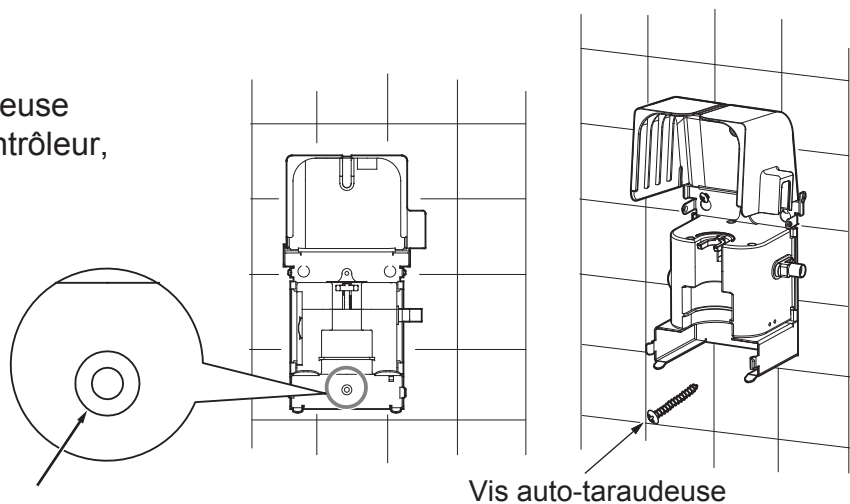
5. Retirez le réservoir du contrôleur.



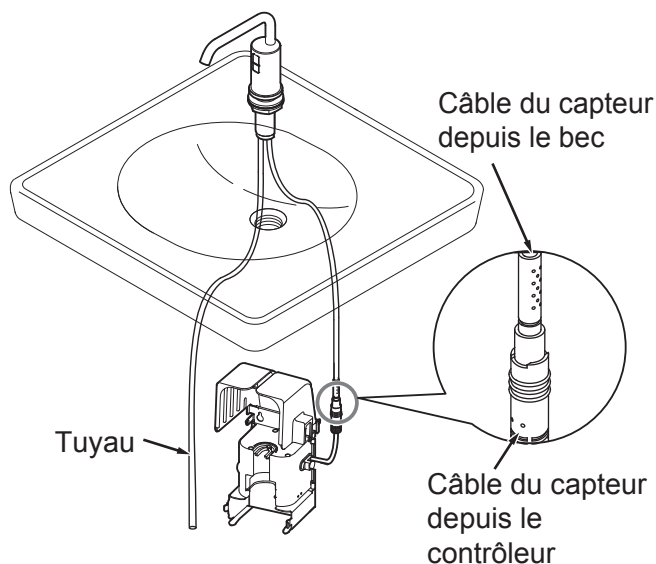
6. Suspendez le contrôleur sur les deux vis.



7. Insérez une vis auto-taraudeuse dans le trou inférieur du contrôleur, puis serrez-la.



8. Connectez les câbles du capteur.

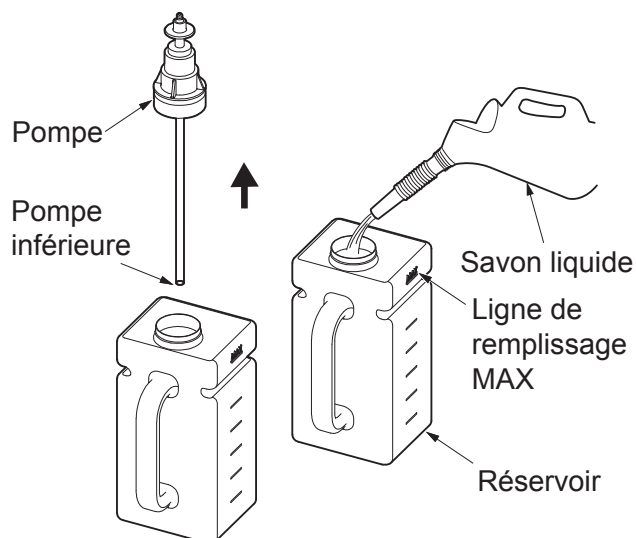


PROCÉDURE D'INSTALLATION – Réservoir

1. Retirez la pompe du réservoir.

2. Versez lentement le savon liquide dans le réservoir.

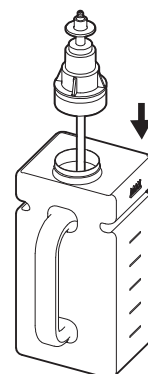
REMARQUE : Gardez la pompe propre lors du remplissage du savon, en veillant plus particulièrement à ce que l'extrémité inférieure de la pompe ne soit pas en contact avec le plancher.



REMARQUE : Remplissez le réservoir jusqu'à la ligne MAX.

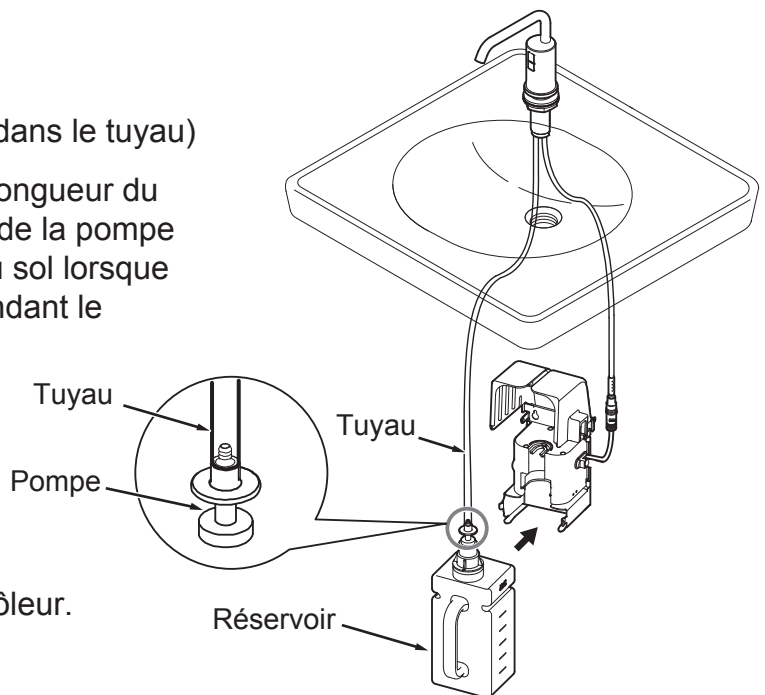
REMARQUE : Utilisez uniquement un savon liquide approuvé par TOTO.

3. Réinstallez la pompe en la poussant fermement vers le bas au-dessus de l'ouverture du réservoir jusqu'à ce qu'elle soit enclenchée.



4. Connectez le tuyau au réservoir.
(Insérez la bordure complètement dans le tuyau)

REMARQUE : Assurez-vous que la longueur du tube empêche le bas de la pompe de mise en contact du sol lorsque la cuve est retirée pendant le remplissage.



5. Montez le réservoir sur le contrôleur.

PROCÉDURE D'INSTALLATION – Connexion de l'alimentation

REMARQUE : Merci de bien vouloir prévoir une réservation dans votre plan vasque, et cela de façon conforme avec la réglementation électrique.

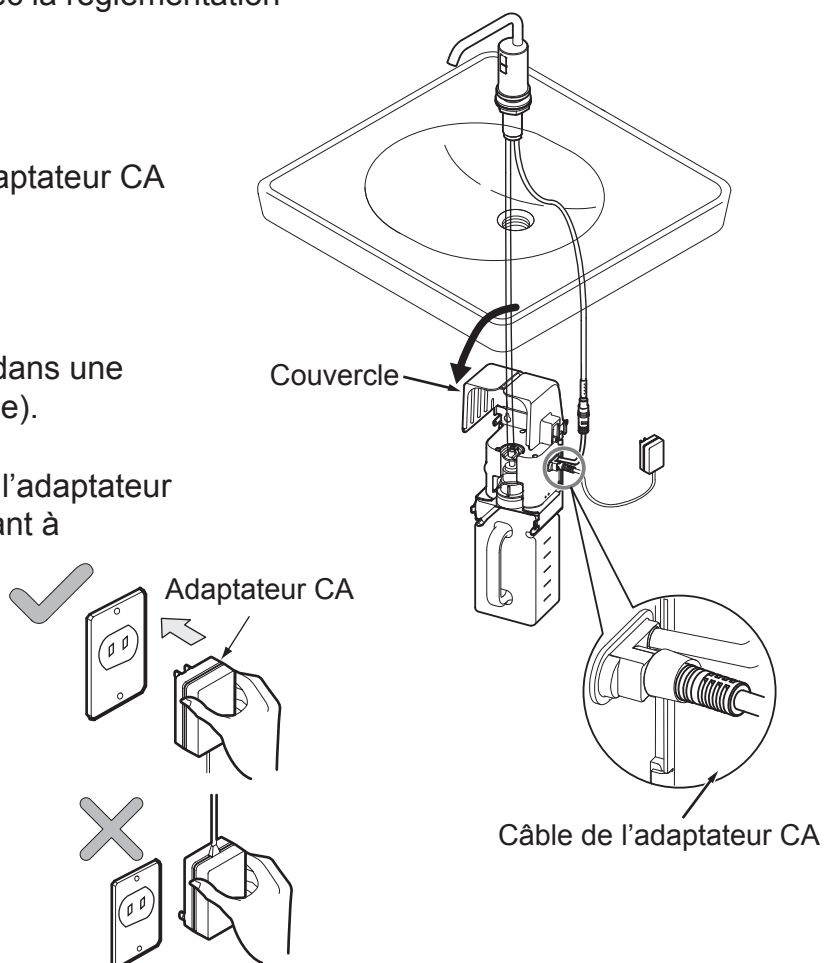
[Type CA]

1. Connectez le câble de l'adaptateur CA au contrôleur.

2. Branchez l'adaptateur CA dans une prise de courant (appropriée).

REMARQUE : N'utilisez pas l'adaptateur CA en l'insérant à l'envers.

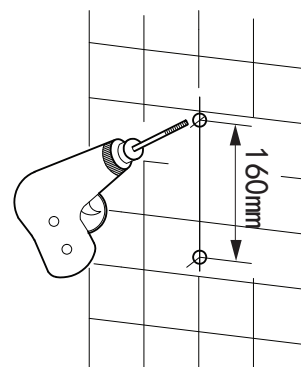
3. Fermez le couvercle.



PROCÉDURE D'INSTALLATION – Boîtier des piles

[Type CC]

1. Sélectionnez une position pour le logement des piles.
Assurez-vous que le câble d'alimentation puisse atteindre le contrôleur.



2. Marquez l'emplacement des trous de montage.

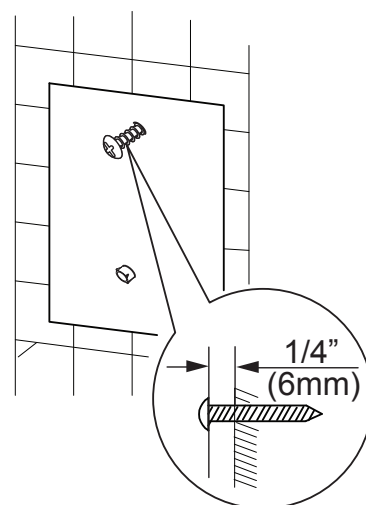
3. Percez 2 trous.

Profondeur des trous : 1" (25mm)

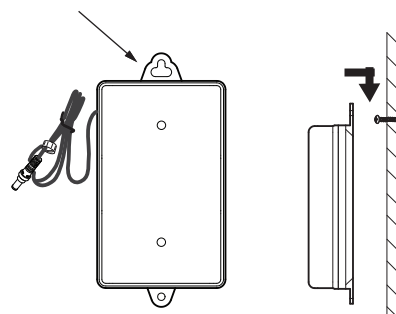
Dimension : 7/64" (3mm) sans ancrage

1/4" (7mm) avec ancrage

4. Insérez la vis auto-taraudeuse dans le trou supérieur jusqu'à ce qu'il y ait un espace de 1/4" (6mm) entre la tête de la vis et le mur.
Utilisez des ancrages si nécessaire.

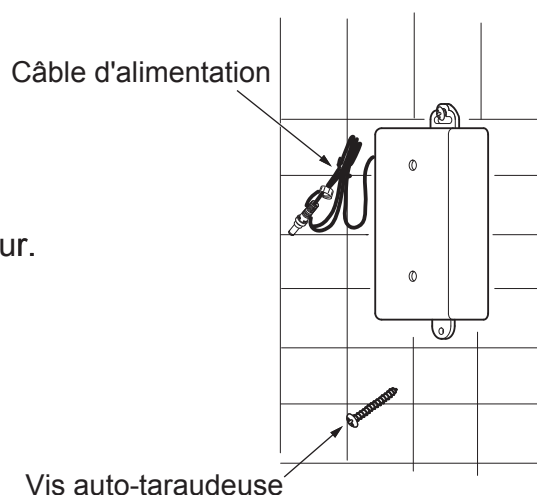


5. Suspendez le logement des piles sur la vis.



6. Insérez une vis auto-taraudeuse dans le trou inférieur du logement, puis serrez-la.

7. Connectez le câble d'alimentation au contrôleur.

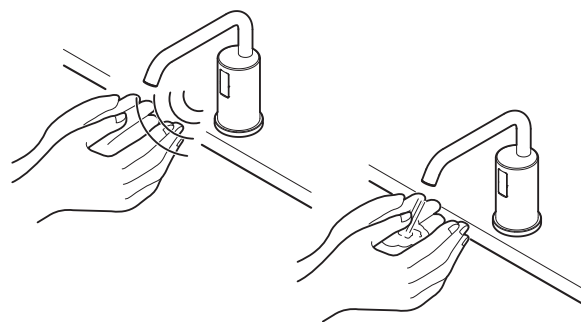


ESSAI

Une fois l'installation terminée, confirmez que le distributeur fonctionne adéquatement en utilisant la méthode suivante.

1. Placez vos mains sous le bec du distributeur et gardez-les à cet endroit jusqu'à ce que le savon soit distribué.

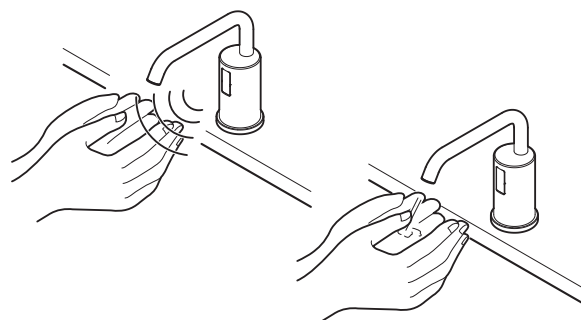
REMARQUE : Assurez-vous qu'aucun savon ne fuit du tuyau et des raccords.



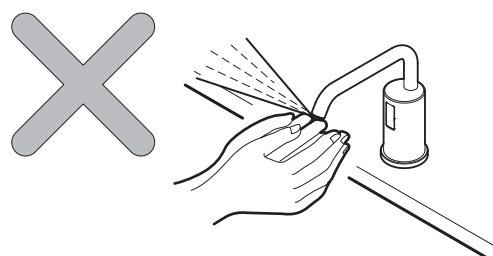
COMMENT UTILISER CE PRODUIT

Placez les mains sous le bec du distributeur.

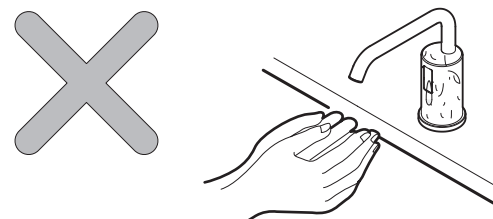
- Une quantité de savon adéquate est distribuée automatiquement.



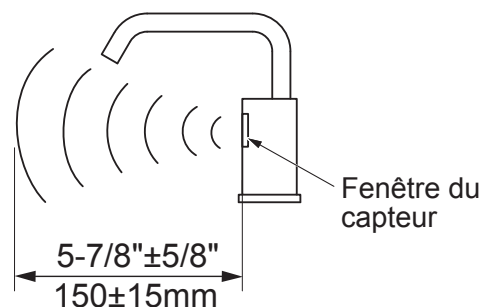
Mise en garde : Veuillez ne pas obstruer l'ouverture du bec de distributeur. Le savon pourrait être projeté dans une direction imprévisible.



Mise en garde : Veuillez ne pas placer de savon liquide sur le distributeur. Si le capteur est sale, il pourrait ne pas fonctionner correctement.

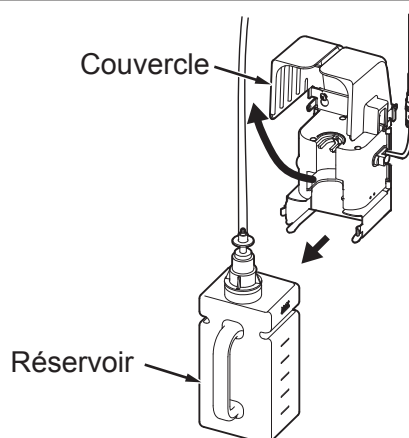


La plage de détection du capteur est de 5-7/8"±5/8"(150mm±15mm).



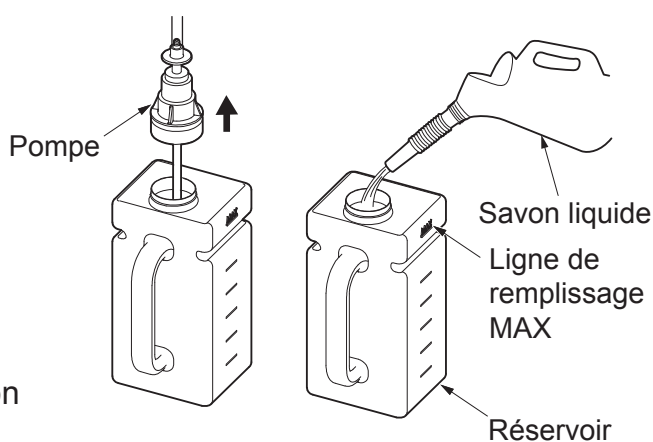
REPLISSAGE DE SAVON

1. Ouvrez le couvercle.
2. Retirez le réservoir du contrôleur.

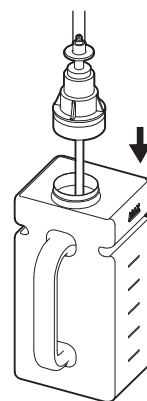


3. Retirez la pompe du réservoir.
4. Versez lentement le savon liquide dans le réservoir.

REMARQUE : Nettoyer le récipient avant de le remplir.
REMARQUE : remplissez le réservoir jusqu'à la ligne MAX.
REMARQUE : Utilisez uniquement un savon liquide approuvé par TOTO.

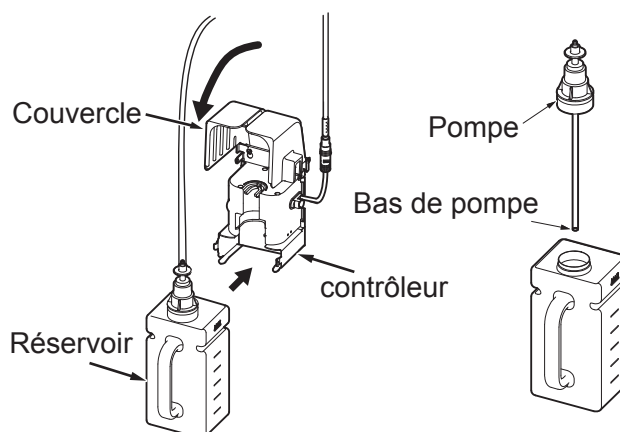


5. Réinstallez la pompe en la poussant fermement vers le bas au-dessus de l'ouverture du réservoir jusqu'à ce qu'elle soit enclenchée.



6. Montez le réservoir sur le contrôleur.
7. Fermez le couvercle.

8. Purger la ligne en tenant les mains sous le bec jusqu'à ce que le savon arrive. Le distributeur peut être activé jusqu'à dix fois de suite tout en tenant la main sous le bec immédiatement après remplissage.



REPLACEMENT DE LA PILE [Type CC]

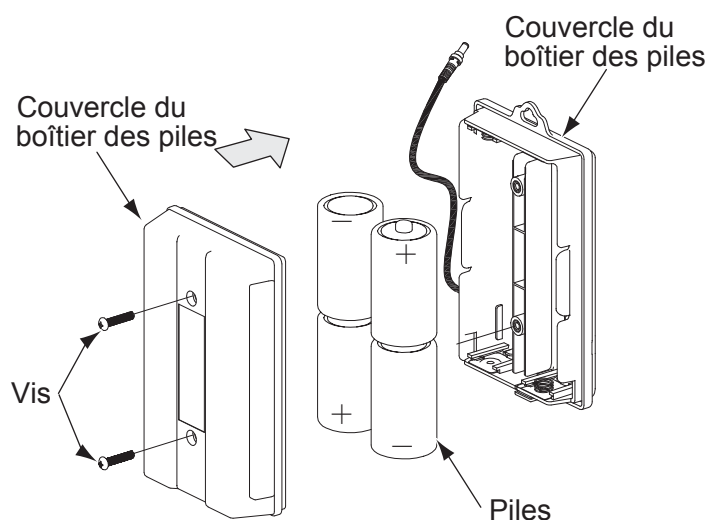
1. Retirez le couvercle du logement des piles.
2. Installez quatre (4) piles taille D alcalines.

REMARQUE : Assurez-vous que les piles sont installées dans le bon sens (polarité).

3. Réinstallez le couvercle du logement des piles.

4. Serrez les vis.

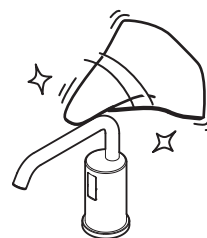
- Le cycle de vie normal est de deux (2) ans, fondé sur un usage moyen de 2 000 doses/mois.



SOIN ET NETTOYAGE

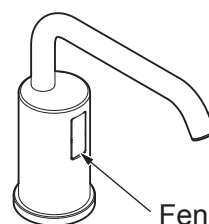
- **Pour un nettoyage léger**

Essuyez tout débris ayant adhéré au bec verseur ou au capteur.



- **Pour un nettoyage intensif**

Essuyez les débris à l'aide d'un chiffon humide contenant une quantité adéquate de détergent à vaisselle neutre. Essuyez ensuite à l'aide d'un chiffon humide.

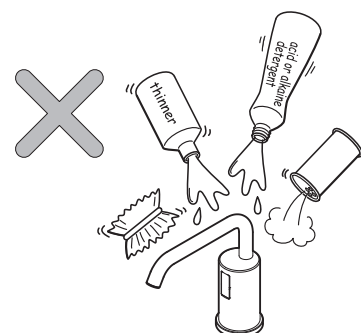


- Lors du nettoyage autour du capteur. Veillez à ne pas égratigner la surface de la fenêtre du capteur.

- N'utilisez pas de détergents risquant d'endommager la surface du bec verseur.

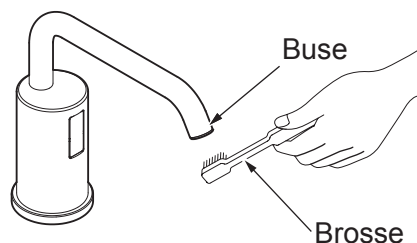
Parmi ceux-ci :

- Détergents contenant de l'acide, un agent chloré de blanchiment ou un alcali.
- Détergents sous forme de granules grossières, tels que la poudre à polir.
- Solvants tels que le diluant à peinture ou le benzène.
- Articles abrasifs tels que les lavettes/brosses en nylon, la laine d'acier, etc.



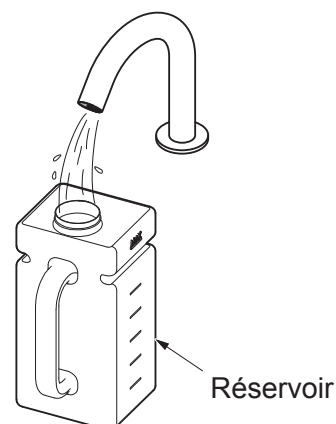
- **Pour le nettoyage de la buse**

Nettoyez la buse à l'aide d'une brosse douce pour éliminer toute poussière présente sur le tamis.



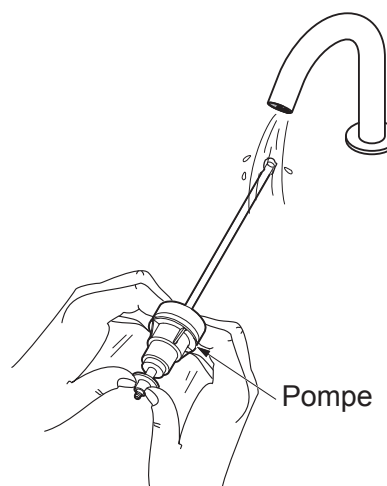
- **Nettoyage du réservoir**

Nettoyez régulièrement le réservoir à l'eau.



- **Pour le nettoyage de la pompe**

Si la pompe bloque ou qu'un refoulement se produit, lavez la pompe avec de l'eau en la tenant à l'envers et exercez manuellement une pression sur la pompe à plusieurs reprises.



ENTRETIEN PÉRIODIQUE

- **Une fois par mois :**

1. Vérifiez tous les raccordements de tuyau pour détecter tout signe de fuite.
2. Essuyez toute poussière présente sur l'adaptateur CA [Type CA uniquement].

- **Deux fois par an**

1. Vérifiez tous les raccords fixes et serrez-les au besoin.

SUSPENSION À LONG TERME DE L'UTILISATION

Si il y aura de longues périodes de temps où le distributeur ne sera pas utilisée, enlever tout le savon de distributeur selon la méthode suivante.

1. Retirer du savon à partir du réservoir et laver le réservoir avec de l'eau.
2. Remplir le réservoir avec de l'eau et mettre en place le distributeur comme d'habitude.
3. Rincer la ligne avec de l'eau en activant distributeur jusqu'à pas de savon sort du bec. Remplir avec de l'eau si nécessaire.
4. Jeter l'eau dans le réservoir et laisser le réservoir à sec.
5. Placez le réservoir de retour dans le contrôleur.
6. Débranchez l'alimentation jusqu'à ce que l'utilisation REPRENNE.

DÉPANNAGE

Problème	Fonctionnement	Cause	Solution
Aucun savon n'est distribué	Voyant LED vert clignotant	Le niveau de savon est bas	Remplissez le réservoir de savon liquide.
	Voyant LED rouge clignotant	Le niveau de la pile est faible	Remplacez les piles.
	Voyant LED vert allumé	La pompe bloque	Nettoyez la pompe.
		La viscosité du savon est élevée	Procurez-vous un savon liquide approuvé par TOTO.
	-	La fenêtre du capteur est sale	Nettoyez la fenêtre du capteur.
	-	Le câble du capteur est déconnecté	Connectez le câble.
	-	Il y a un obstacle devant la fenêtre du capteur	Retirez l'obstacle.
	-	La source d'alimentation (adaptateur CA ou boîtier des piles) est déconnectée	Raccordez le câble.
	-	Le tuyau est déconnecté	Connectez le tuyau.
-	Adaptateur secteur n'est pas branché	Branchez l'adaptateur secteur.	
La distribution du savon est ininterrompue	-	La fenêtre du capteur est sale	Nettoyez la fenêtre du capteur.
	-	Il y a un obstacle devant la fenêtre du capteur	Retirez l'obstacle.
Le savon est distribué de manière imprévisible	-	La fenêtre du capteur est sale	Nettoyez la fenêtre du capteur.
	-	Le capteur sera désactivé après 48 heures d'inutilisation pour éviter un blocage	-
La quantité de savon distribué est petite	-	La pompe ne fonctionne pas correctement	Nettoyez la pompe.

CARACTÉRISTIQUES TECHNIQUES

Modèle	DSE101EEB	DSE101EEC	DSE101KE
Alimentation électrique	AC AC 100~240V	AC AC 100~240V	DC quatre (4) piles taille 1.5V D alcalines
Plage de détection du capteur	5-7/8"±5/8"(150mm±15mm)		
Température ambiante	32~104°F (1~40°C)		
Humidité	Max. 90% RH		
Volume de savon	0.03-0.04 oz (0.8-1.2ml)		
Capacité du réservoir	50 oz (1500ml)		
Adaptateur secteur	GPBSW0601500WD00	GPUSW0601500WD00	/
Entrée	100-240 V CA, 50/60 Hz		/
Sortie	6,0 V CC, 1 500 mA		/

ATTENTION

Mise au rebut correcte de ce produit



Ce symbole indique que ce produit ne doit pas être mis au rebut avec d'autres déchets ménagers dans l'UE. Pour empêcher que l'élimination incontrôlée des déchets ne nuise à l'environnement ou à la santé humaine, recyclez ce produit de manière responsable de sorte que les ressources matérielles soient réutilisées durablement. Pour vous débarrasser de votre appareil usagé, adressez-vous aux systèmes de collecte et de ramassage ou contactez le revendeur auprès duquel vous avez acheté le produit. Ils peuvent prendre en charge ce produit et le recycler de manière respectueuse pour l'environnement.

GARANTIE

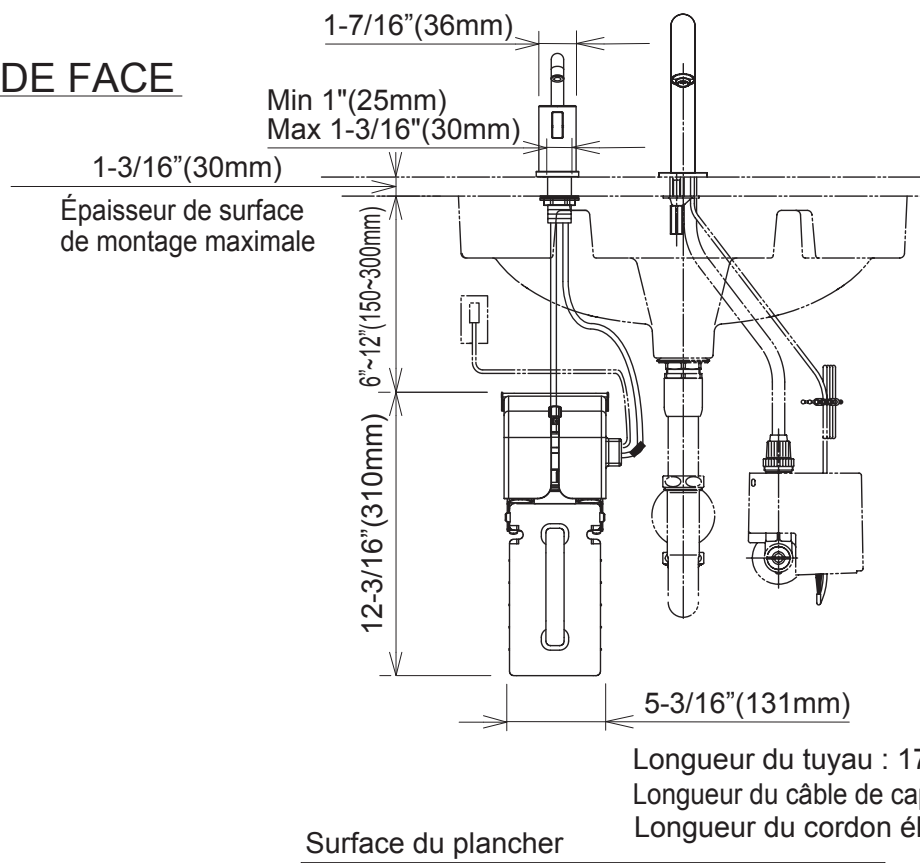
GARANTIE LIMITEE DE DEUX ANS

1. TOTO garantit que ses produits sont exempts de défaut de fabrication en cas d'utilisation et d'un entretien normal pendant une période de deux (2) ans à partir de la date d'achat. Cette garantie ne s'applique qu'à L'ACHETEUR D'ORIGINE.
2. Les obligations de TOTO, selon les termes de cette garantie, se limitent à la réparation ou au remplacement, selon l'option choisie par TOTO, de produits ou de pièces s'avérant défectueux, dans la mesure où ces produits ont été correctement installés et utilisés dans le respect des instructions du présent MANUEL DU PROPRIETAIRE. TOTO se réserve le droit de réaliser les inspections nécessaires pour déterminer la cause du défaut. TOTO ne facturera pas la main-d'œuvre ou les pièces dans le cadre de réparations ou de remplacements s'inscrivant dans la garantie.
TOTO n'est pas responsable du coût de retrait, de retour et/ou de réinstallation des produits.
3. Cette garantie ne s'applique pas aux éléments suivants :
 - a) Dommage ou perte entraîné par une catastrophe naturelle, notamment un incendie, un tremblement de terre, une inondation, la foudre, un orage, etc.
 - b) Dommage ou perte entraîné par une utilisation déraisonnable, une mauvaise utilisation, un abus, une négligence ou un entretien inadapté du produit.
 - c) Dommage ou perte entraîné par le retrait, la réparation inadaptée ou la modification du produit.
 - d) Dommage ou perte entraîné par des sédiments ou des substances étrangères contenues dans les canalisations.
 - e) Dommage ou perte entraîné par la qualité de l'eau de la région où le produit est utilisé.
 - f) Dommage ou perte entraîné par une installation inappropriée ou par l'installation d'une unité dans un environnement difficile et/ou dangereux.
4. Cette garantie vous confère des droits légaux spécifiques. Vous pouvez disposer d'autres droits qui varient d'un pays à un autre.
5. Pour obtenir un service de réparation dans le cadre de cette garantie, vous devez apporter le produit ou le faire livrer, en payant les frais d'expédition, à un centre de services TOTO, en l'accompagnant d'une lettre expliquant le problème, ou bien contacter un distributeur TOTO ou un prestataire de services agréé, ou contacter directement une agence commerciale TOTO. Si, du fait de la taille du produit ou de la nature du défaut, le produit ne peut pas être renvoyé à TOTO, la réception par TOTO d'un avis écrit de la panne fait office de livraison. Dans ce cas, TOTO pourra opter pour la réparation du produit au lieu d'installation ou payer pour transporter le produit dans un centre de services.

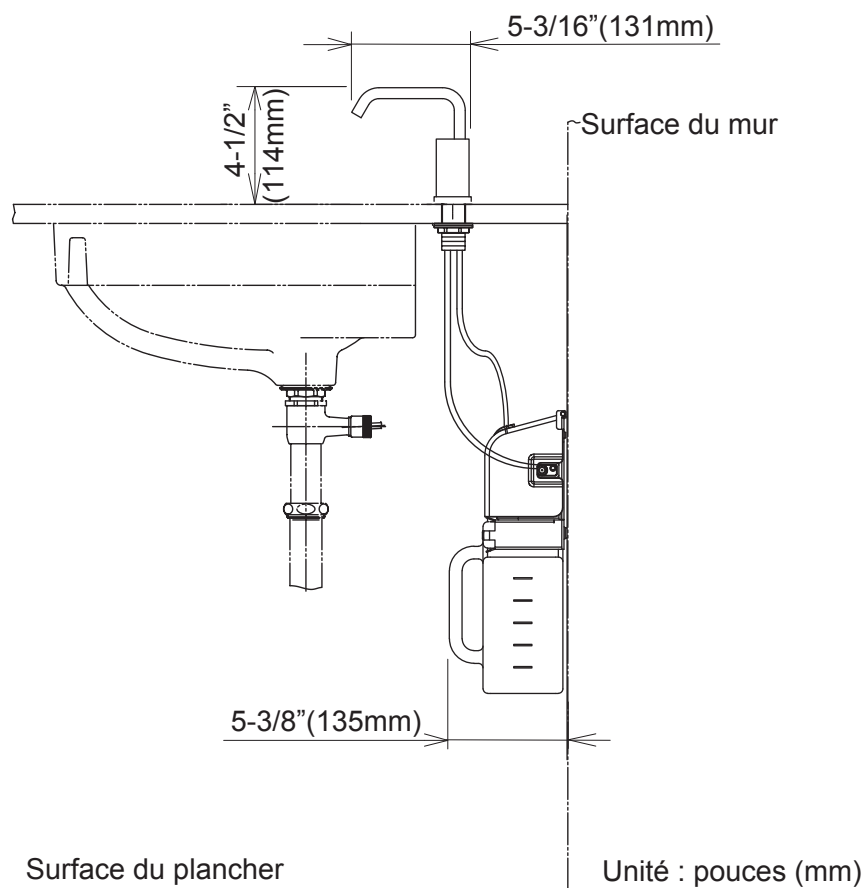
CETTE GARANTIE ECRITE EST LA SEULE GARANTIE FAITE PAR TOTO. LA REPARATION OU LE REMPLACEMENT FOURNI DANS LE CADRE DE CETTE GARANTIE SERA LE SEUL RECOURS DISPONIBLE A L'ACQUEREUR. TOTO NE SERA PAS RESPONSABLE DE LA PERTE D'UTILISATION DU PRODUIT OU DE TOUT AUTRE DOMMAGE OU DEPENSE ACCESSOIRE, SPECIAL OU CONSECUTIF OCCASIONNE PAR L'ACQUEREUR OU POUR TOUT COUT DE MAIN-D'OEUVRE OU AUTRES COUTS ENTRAINEES PAR L'INSTALLATION OU LE RETRAIT, OU LES COUTS DE REPARATIONS EFFECTUEES PAR DES TIERS, OU TOUTE AUTRE DEPENSE NON STIPULEE CI-DESSUS. SAUF DANS LES LIMITES NON AUTORISEES PAR LA LOI APPLICABLE, TOUTES LES GARANTIES IMPLICITES, NOTAMMENT CONCERNANT LA QUALITE MARCHANDE OU L'APTITUDE A UN USAGE PARTICULIER, SONT LIMITEES EXPRESSEMENT A LA DUREE DE CETTE GARANTIE. CERTAINS ETATS N'AUTORISENT PAS LES LIMITATIONS DE DUREE D'UNE GARANTIE IMPLICITE OU L'EXTENSION OU LA LIMITATION DE DOMMAGES ACCESSOIRES OU CONSECUTIFS. POUR CETTE RAISON, LA LIMITATION ET L'EXCLUSION CI-DESSOUS POURRAIENT NE PAS S'APPLIQUER A VOTRE CAS.

ROBINETTERIE BRUTE / DIMENSIONS

VUE DE FACE



VUE DE CÔTÉ



SOMMARIO

Grazie per aver scelto un prodotto TOTO	32
Avvertenze	32
Prima dell'installazione	32
Componenti in dotazione	33
Attrezzi di uso comune necessari	33
Installazione del dispenser e del serbatoio	34
Procedura di installazione	35-39
Verifica del funzionamento	40
Metodo di utilizzo del prodotto	40
Ricarica del sapone	41
Sostituzione delle pile [tipo CC]	42
Pulizia e cura del prodotto	42
Manutenzione periodica	43
Interruzione dell'utilizzo per un lungo periodo	44
Risoluzione dei problemi	44
Caratteristiche tecniche	45
Attenzione	44
Garanzia	45
Dimensioni approssimative	46

GRAZIE PER AVER SCELTO UN PRODOTTO TOTO

TOTO si impegna a fornire prodotti igienici, che garantiscano benessere e comfort agli utenti di tutto il mondo. Tutti i prodotti sono progettati con l'obiettivo di conseguire un giusto equilibrio tra design e funzionalità. Congratulazioni per la scelta.

AVVERTENZE

Si prega di leggere le seguenti note e di attenersi scrupolosamente. In caso contrario, si potrebbero causare lesioni personali e/o danni alle cose.

- Salvo diversamente specificato nel presente manuale, gli interventi di installazione, riparazione o modifica del dispenser devono essere effettuati esclusivamente da personale del servizio di assistenza. La mancata osservanza di questa indicazione potrebbe provocare folgorazioni o anomalie di funzionamento del prodotto.
- Non utilizzare il dispenser in ambienti umidi, in cui si potrebbe verificare la formazione di condensa sulle superfici, come in una sauna o locale adibito a bagni di vapore.
- Prestare attenzione a non urtare violentemente il dispenser o la centralina con le mani, con i piedi o in altro modo, in quanto si potrebbe danneggiare l'unità o provocare perdite.
- Non utilizzare il dispenser a temperature ambiente inferiori allo zero.
- Assicurarsi che il cavo di alimentazione non venga a contatto con il tubo d'ingresso dell'acqua calda.
- Evitare di collocare oggetti nel campo di rilevamento del sensore a infrarossi.
- Utilizzare esclusivamente sapone liquido approvato da TOTO.
- Accertarsi che la presa elettrica si trovi in una posizione in cui non rischi di bagnarsi durante l'uso.
- L'apparecchio deve essere utilizzato esclusivamente con l'adattatore CA fornito in dotazione:
adattatore CA modello GPBSW0601500WD00 per il DSE101EEB;
adattatore CA modello GPUSW0601500WD00 per il DSE101EEC.

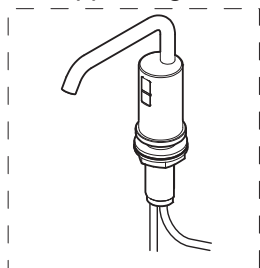
- Questo apparecchio può essere utilizzato da bambini a partire dagli 8 anni di età e da persone con ridotte capacità fisiche, sensoriali o mentali o con scarsa esperienza o conoscenza dell'apparecchio, a condizione che l'uso avvenga sotto la supervisione di una persona responsabile o che vengano impartite loro istruzioni su come utilizzare l'apparecchio, e a condizione che essi comprendano i rischi che ne possono derivare.
- Non lasciare giocare i bambini con l'apparecchio.
- Le operazioni di pulizia e manutenzione ordinaria non devono essere eseguite da bambini senza la supervisione di un adulto.
- L'adattatore CA deve essere sempre mantenuto asciutto, lontano dalla rete di distribuzione idrica o da luoghi in cui possa essere esposto a schizzi o spruzzi d'acqua.

PRIMA DELL'INSTALLAZIONE

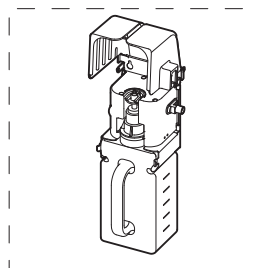
- Leggere attentamente le presenti istruzioni per eseguire un'installazione corretta.
- TOTO si riserva il diritto di modificare il design del prodotto senza preavviso.
- Controllare il contenuto della fornitura, per assicurarsi di possedere tutti i componenti indicati alla pagina seguente.

COMPONENTI IN DOTAZIONE

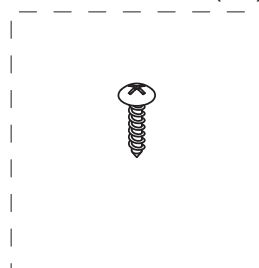
Gruppo erogatore



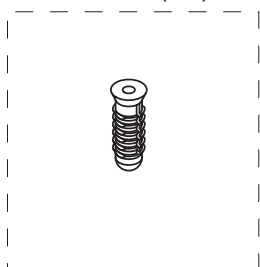
Centralina



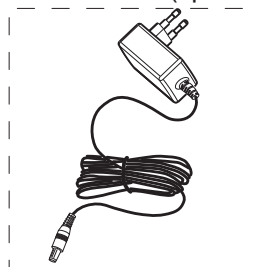
Viti autofilettanti (X3)



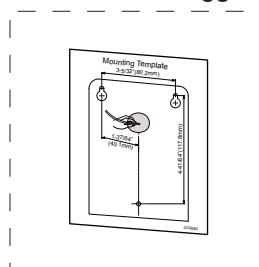
Tasselli (X3)



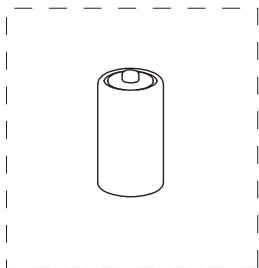
Adattatore CA (tipo CA)



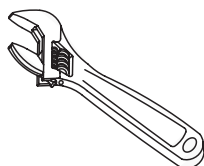
Dima di montaggio



Alloggiamento delle pile (tipo CC)

Pile alcaline (formato D (torcia) 1,5 V)
(X4)(tipo CC)

ATTREZZI DI USO COMUNE NECESSARI



Chiave inglese

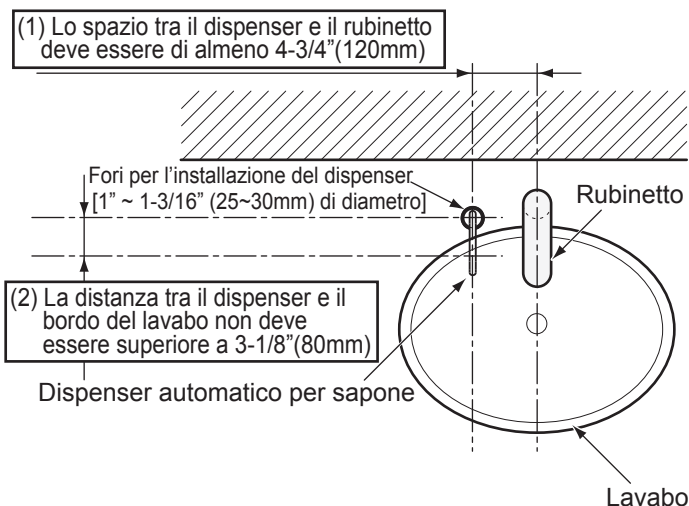


Cacciavite (Phillips)

INSTALLAZIONE DEL DISPENSER E DEL SERBATOIO

Posizione del dispenser

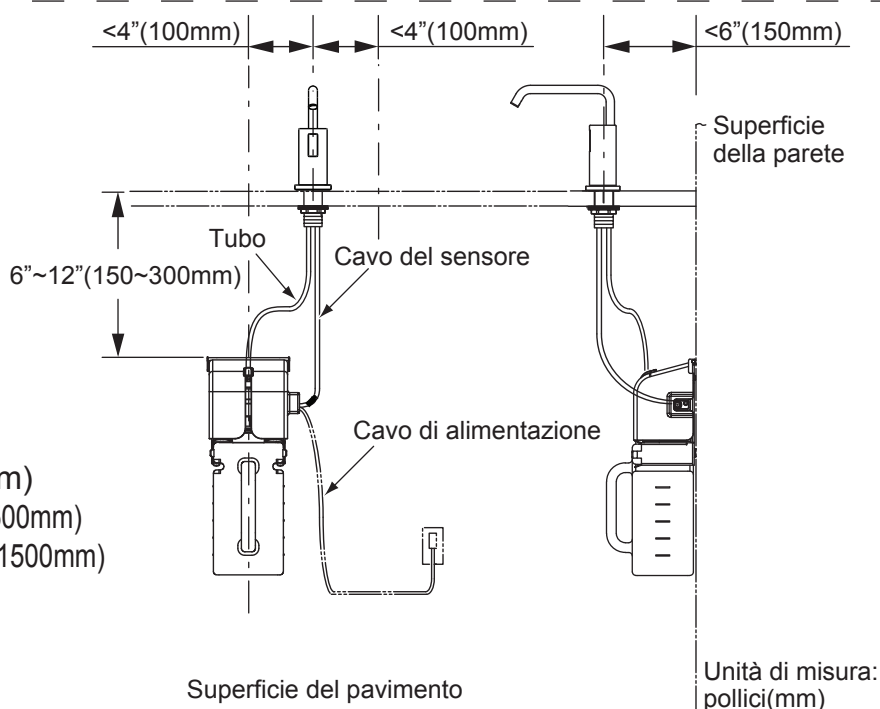
1. Si raccomanda di lasciare almeno 4-3/4" (120mm) di spazio tra il dispenser per sapone liquido e il rubinetto, al fine di evitarne l'attivazione accidentale.
2. Lasciare 3-1/8"(80mm) di spazio tra il bordo interno del lavabo e i fori di installazione del gruppo erogatore per assicurare che eventuali gocce di sapone residue rimaste sul beccuccio del dispenser cadano nel catino del lavabo.



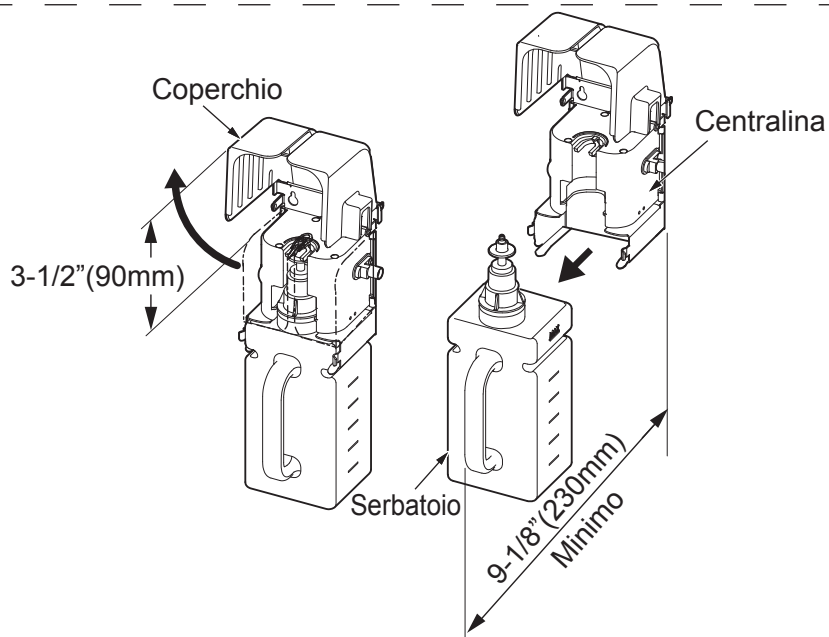
Posizione del serbatoio

1. Durante l'installazione della centralina, assicurarsi che il tubo e i cavi possano raggiungere il serbatoio.
2. Se il tubo è troppo lungo, tagliarlo a una lunghezza adeguata.

Lunghezza tubo: 17-3/4" (450mm)
 Lunghezza cavo del sensore: 19-3/4" (500mm)
 Lunghezza cavo di alimentazione: 59" (1500mm)



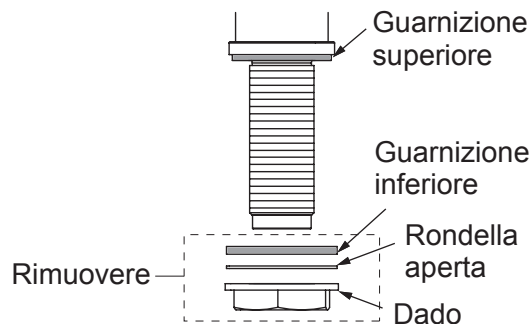
3. Assicurarsi che vi sia spazio sufficiente per ricaricare il serbatoio con il sapone liquido o sostituire la ricarica.



ITALIANO

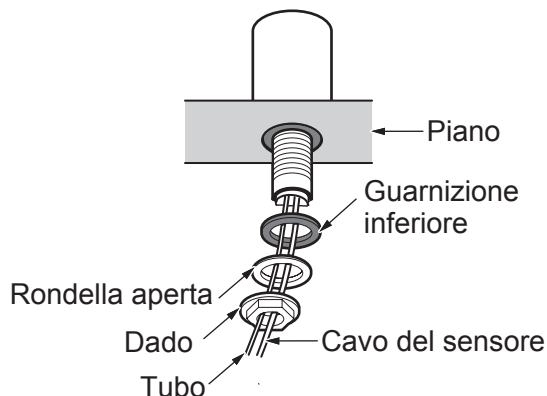
PROCEDURA DI INSTALLAZIONE - Beccuccio

1. Rimuovere il dado, la rondella aperta e la guarnizione inferiore.

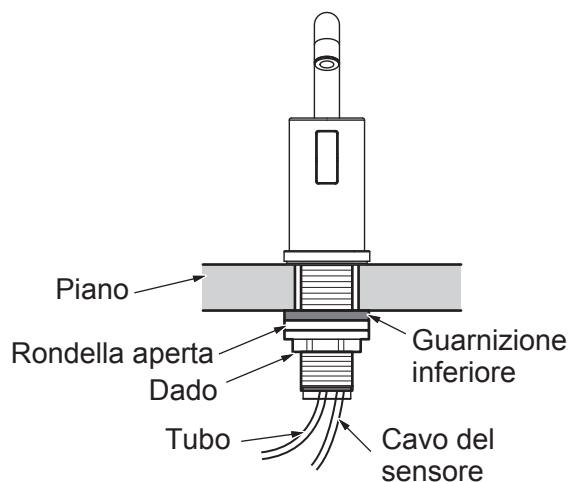


2. Installare il beccuccio sul piano.

3. Installare la guarnizione inferiore, la rondella aperta e il dado in questo ordine.



4. Verificare l'allineamento del beccuccio e serrare il dado.



PROCEDURA DI INSTALLAZIONE - Centralina

1. Scegliere la posizione di installazione della centralina e predisporre la dima di montaggio. Assicurarsi che il cavo del sensore e il tubo del sapone possano raggiungere la dima di montaggio.

2. Riportare la posizione dei fori di montaggio.

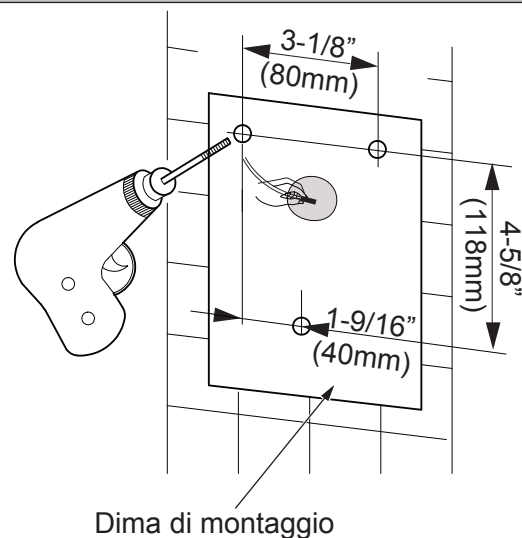
3. Praticare 3 fori.

Profondità dei fori: 1" (25mm)

Dimensioni: 7/64" (3mm) senza spina a parete

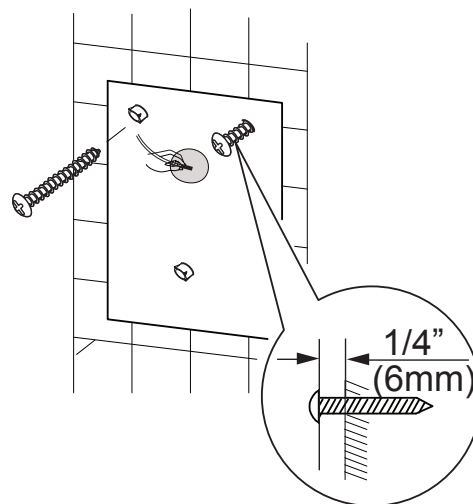
1/4" (7mm) con spina a parete

Importante: la dima di montaggio deve essere in piano.

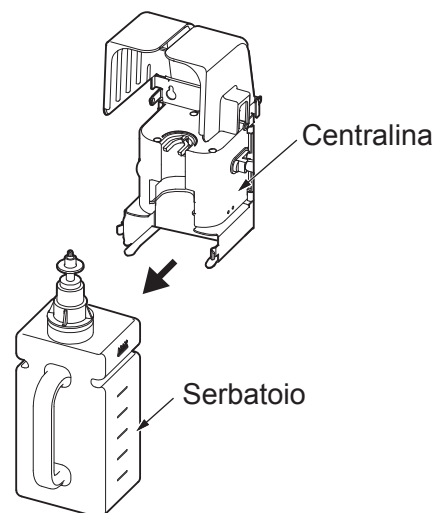


4. Inserire le viti autofilettanti nei due fori superiori in modo che la distanza tra la testa delle viti e la parete sia di 1/4" (6mm).

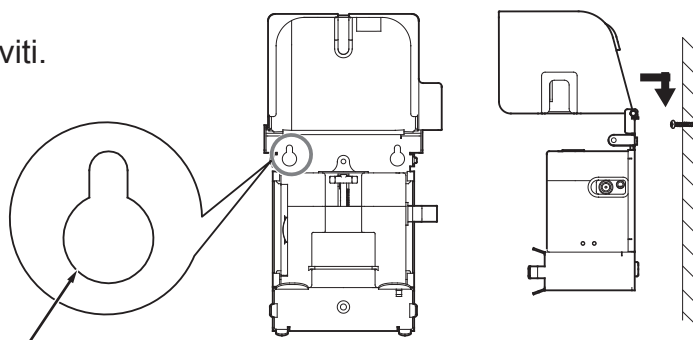
Se necessario, usare dei tasselli.



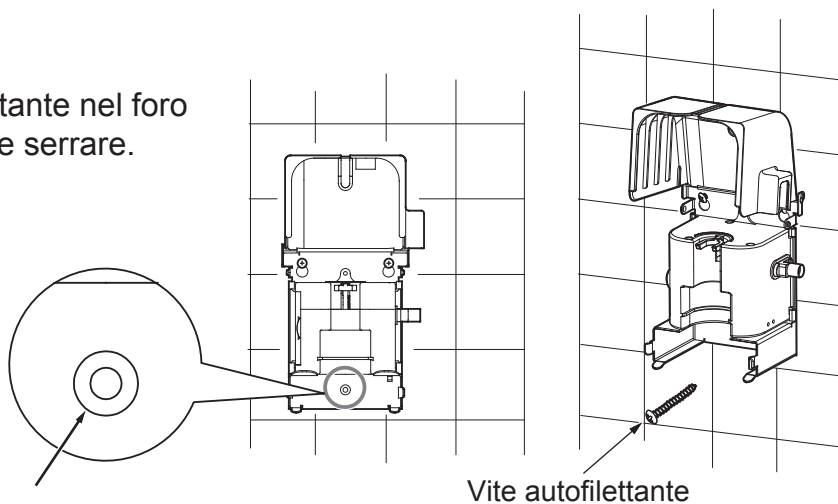
5. Rimuovere il serbatoio dalla centralina.



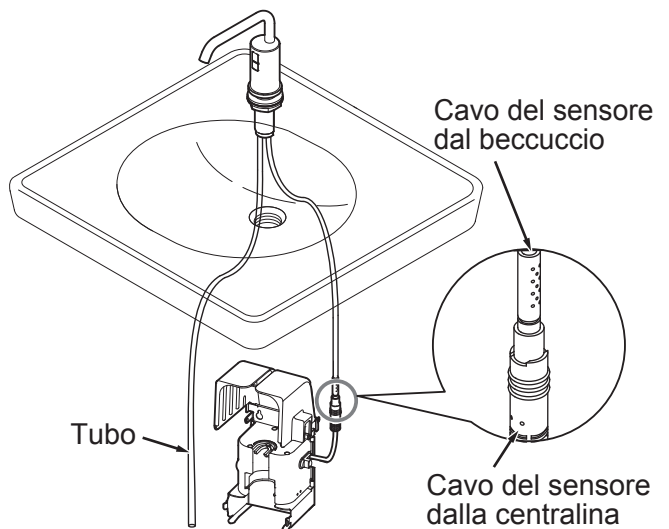
6. Appendere la centralina sulle due viti.



7. Inserire una vite autofilettante nel foro inferiore della centralina e serrare.



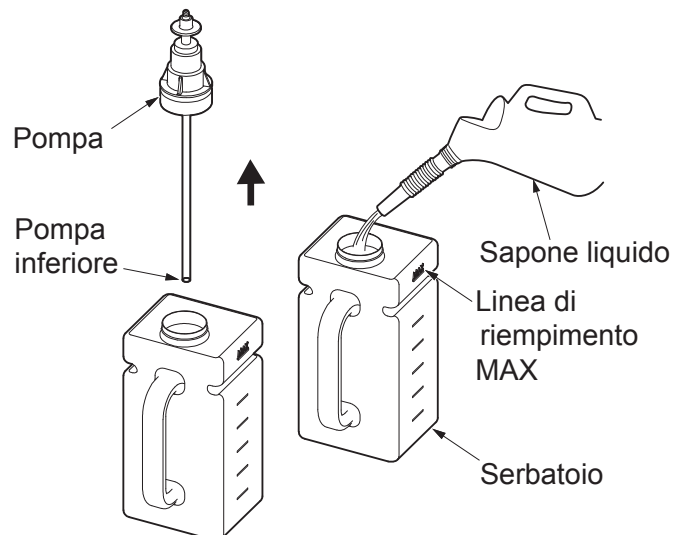
8. Collegare i cavi del sensore.



PROCEDURA DI INSTALLAZIONE - Serbatoio

1. Rimuovere la pompa dal serbatoio.

2. Versare lentamente il sapone liquido nel serbatoio.

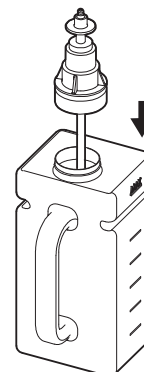


NOTA: Mentre si riempie il serbatoio con il sapone, mantenere pulita la pompa e, in particolare, mantenere l'estremità inferiore della pompa lontano dal pavimento.

NOTA: riempire il serbatoio fino alla linea MAX.

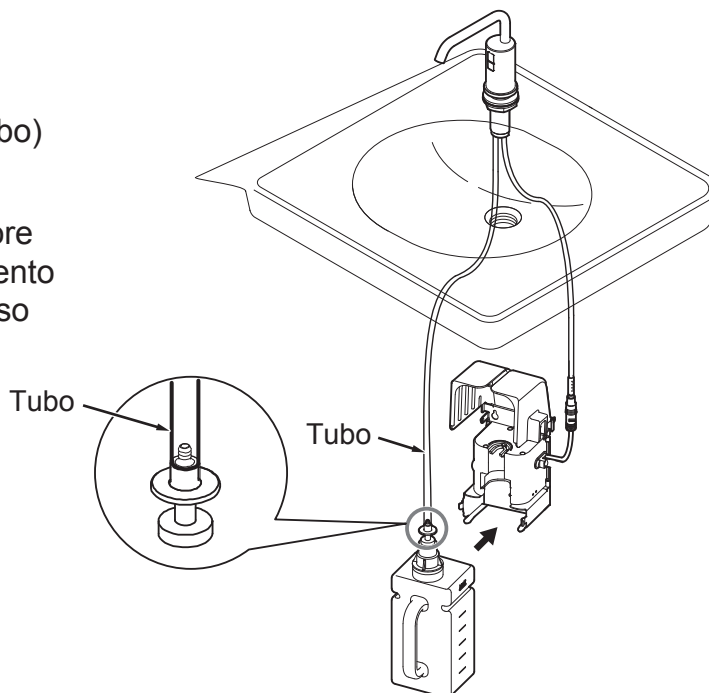
NOTA: utilizzare esclusivamente sapone liquido approvato da TOTO.

3. Inserire nuovamente la pompa spingendola con decisione sull'apertura del serbatoio finché non scatta in posizione.



4. Collegare il tubo al serbatoio.
(inserire a fondo la protuberanza nel tubo)

NOTA: Accertarsi che la lunghezza del tubo impedisca alla parte inferiore della pompa di toccare il pavimento quando il serbatoio viene rimosso per essere riempito.



5. Montare il serbatoio sulla centralina.

PROCEDURA DI INSTALLAZIONE - Collegamento elettrico

NOTA: Predisporre in anticipo una posizione di uscita conforme alle normative del proprio paese.

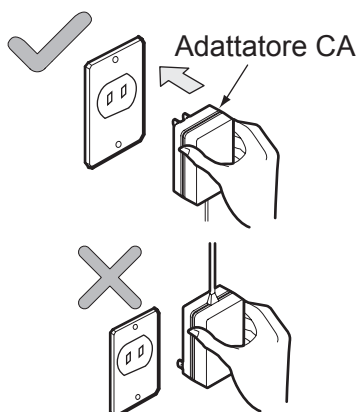
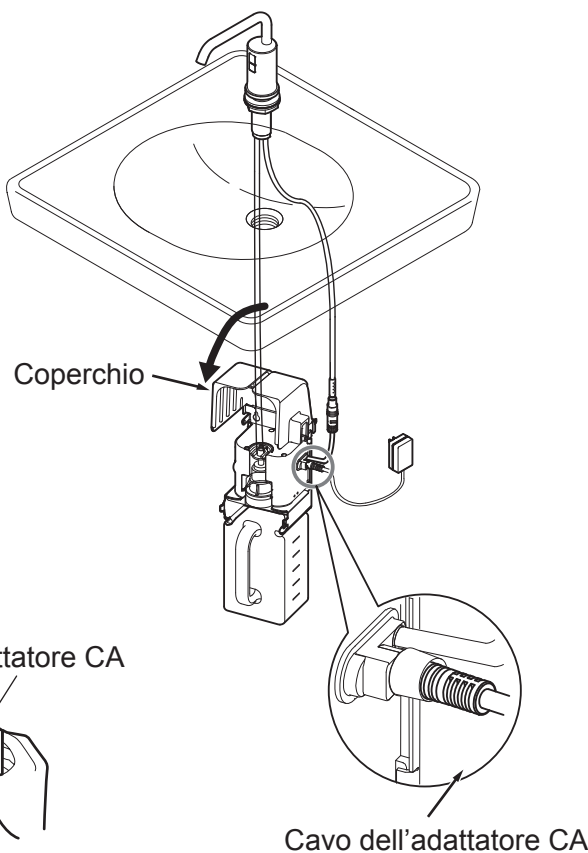
[Tipo CA]

1. Collegare il cavo dell'adattatore CA alla centralina.

2. Inserire l'adattatore CA in una presa elettrica (idonea).

NOTA: non inserire l'adattatore CA in posizione capovolta.

3. Collegare il cavo dell'adattatore CA alla centralina.

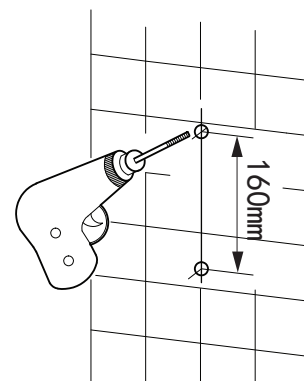


4. Chiudere il coperchio.

PROCEDURA DI INSTALLAZIONE - Alloggiamento delle pile

[Tipo CC]

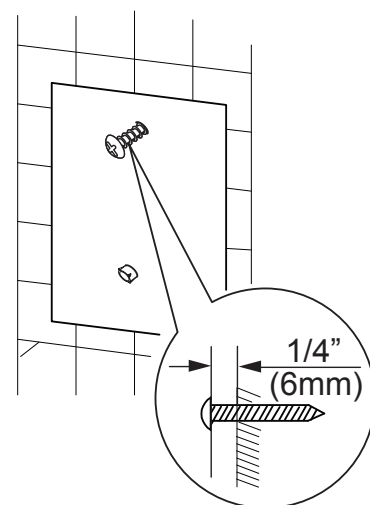
1. Scegliere una posizione per l'alloggiamento delle pile.
Assicurarsi che il cavo di alimentazione sia in grado di raggiungere la centralina.



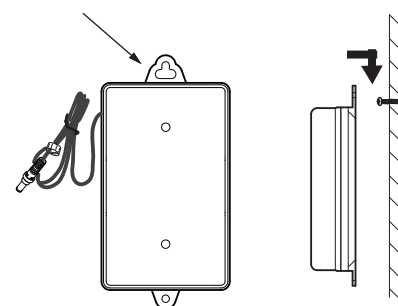
2. Riportare la posizione dei fori di montaggio.

3. Praticare 2 fori. Profondità dei fori: 1" (25mm)
Dimensioni: 7/64" (3mm) senza spina a parete
1/4" (7mm) con spina a parete

4. Inserire le viti autofilettanti nel foro superiore in modo che la distanza tra la testa della vite e la parete sia di 1/4" (6mm).
Se necessario, usare dei tasselli.

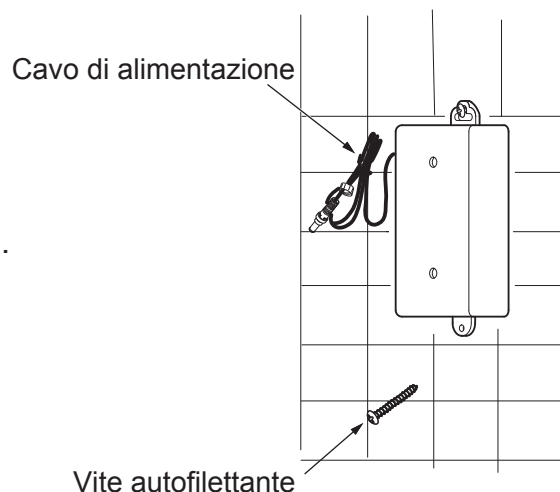


5. Appendere l'alloggiamento delle pile alla vite.



6. Inserire una vite autofilettante nel foro inferiore dell'alloggiamento e serrare.

7. Collegare il cavo di alimentazione alla centralina.

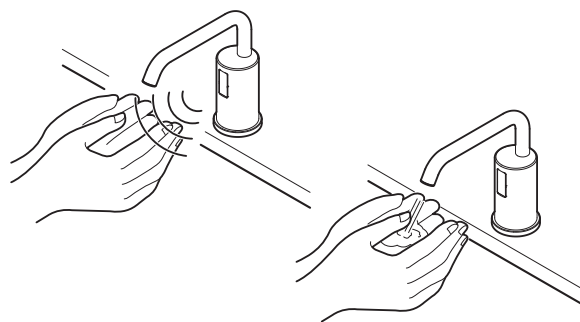


VERIFICA DEL FUNZIONAMENTO

Al termine dell'installazione, verificare che il dispenser funzioni correttamente attenendosi alla seguente procedura.

1. Posizionare le mani sotto il beccuccio erogatore e mantenerle in posizione finché il sapone non verrà erogato.

NOTA: assicurarsi che non vi siano perdite di sapone dal tubo e dai raccordi.



METODO DI UTILIZZO DEL PRODOTTO

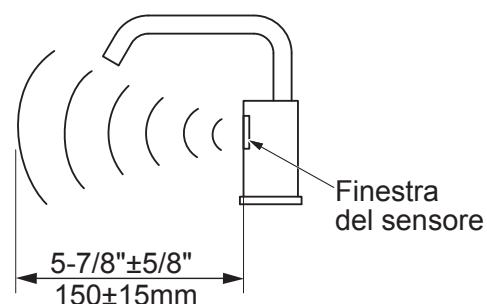
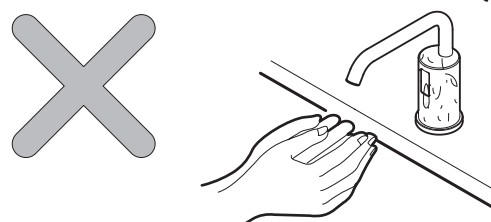
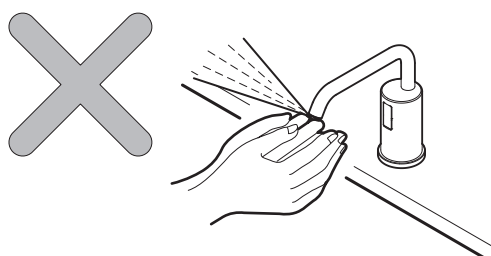
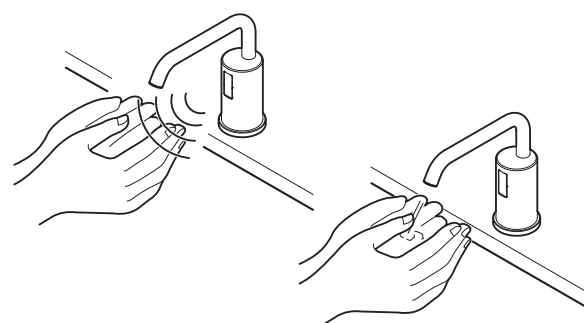
Collocare le mani sotto il beccuccio del dispenser.

- Il dispenser eroga automaticamente una quantità idonea di sapone.

Attenzione: non ostruire l'apertura del beccuccio del dispenser, altrimenti potrebbero prodursi degli spruzzi di sapone in direzioni impreviste.

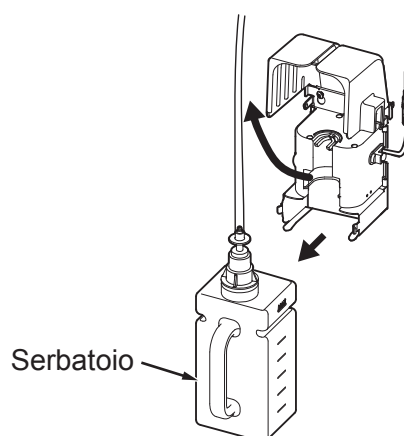
Attenzione: non versare del sapone liquido sul dispenser. Se il sensore si sporca, potrebbe non funzionare correttamente.

Il campo di rilevamento del sensore è di $5-7/8" \pm 5/8"$ ($150\text{mm} \pm 15\text{mm}$).



RICARICA DEL SAPONE

1. Aprire il coperchio.
2. Rimuovere il serbatoio dalla centralina.



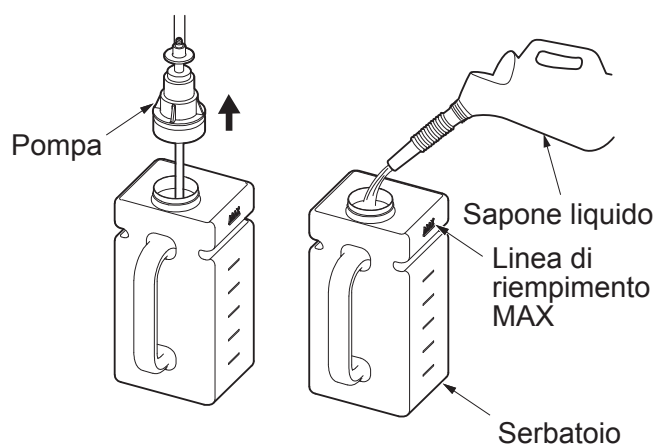
3. Rimuovere la pompa dal serbatoio.

4. Versare lentamente il sapone liquido nel serbatoio.

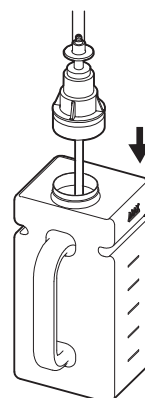
NOTA: Pulire il contenitore prima di riempirlo nuovamente.

NOTA: riempire il serbatoio fino alla linea MAX.

NOTA: utilizzare esclusivamente sapone liquido approvato da TOTO.



5. Inserire nuovamente la pompa spingendola con decisione sopra l'apertura del serbatoio finché non scatta in posizione.

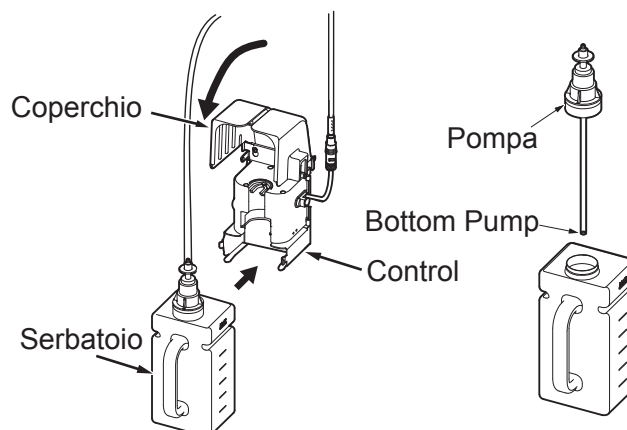


6. Montare il serbatoio sulla centralina.

7. Chiudere il coperchio.

8. Liberare il condotto tenendo le mani sotto il beccuccio erogatore fino alla fuoriuscita del sapone.

Il dispenser può essere azionato fino a dieci volte consecutive mentre si tengono le mani sotto il beccuccio erogatore dopo aver completato la procedura di riempimento.



SOSTITUZIONE DELLE PILE [Tipo CC]

1. Rimuovere il coperchio dell'alloggiamento delle pile.

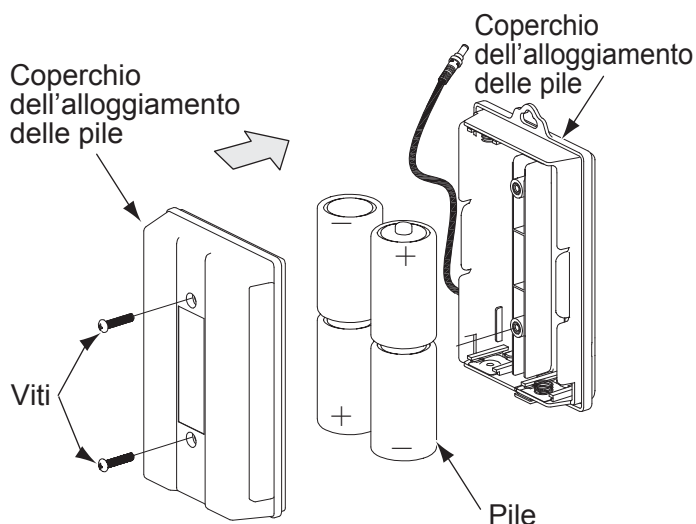
2. Inserire 4 pile alcaline (formato D (torcia) 1,5 V).

NOTA: assicurarsi che le pile siano installate con l'orientamento corretto (polarità).

3. Riposizionare il coperchio dell'alloggiamento delle pile.

4. Serrare le viti.

- Il ciclo di vita standard è di 2 anni, ipotizzando un utilizzo medio di 2000 volte/mese.



PULIZIA E CURA DEL PRODOTTO

• Sporco leggero

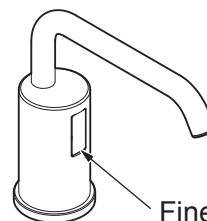
Rimuovere eventuali detriti o sporcizia dal dispenser o sensore.



• Sporco ostinato

Eliminare i residui con un panno umido contenente una quantità idonea di detersivo per piatti neutro.

Quindi pulire con un panno umido.

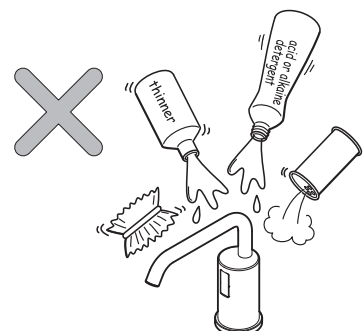


- Quando si pulisce attorno al sensore, fare attenzione a non graffiare la superficie della finestra del sensore.

- Non utilizzare detersivi che potrebbero danneggiare la superficie del dispenser.

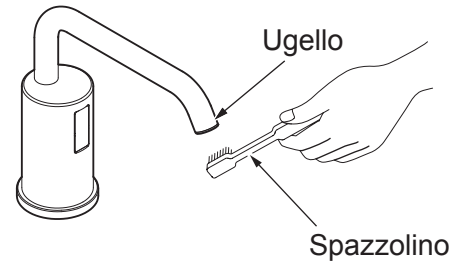
Esempi:

- Detersivi contenenti acidi, candeggina o sostanze alcaline.
- Detersivi con granuli di grandi dimensioni, come polveri abrasive.
- Solventi come diluenti per vernici o benzene.
- Prodotti abrasivi come spugne/spazzole di nylon, lana d'acciaio, ecc.



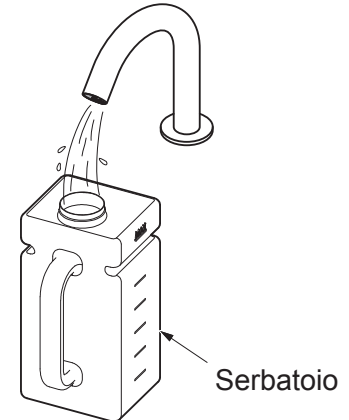
- **Pulizia dell'ugello**

Pulire l'ugello con uno spazzolino morbido per rimuovere lo sporco dal filtro.



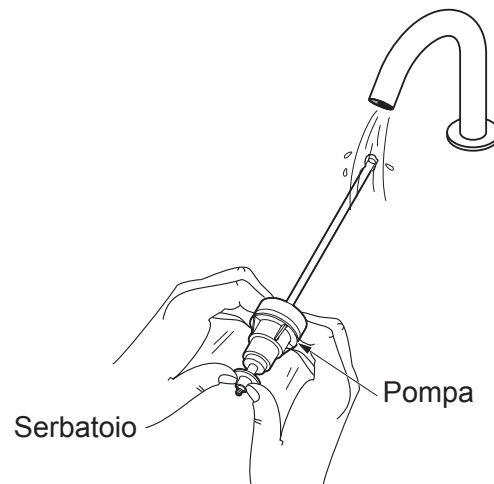
- **Pulizia del serbatoio**

Lavare accuratamente il serbatoio con acqua per mantenerlo pulito.



- **Pulizia della pompa**

Se la pompa si inceppa o si verifica un'inversione di flusso, lavare la pompa con acqua mantenendola in posizione capovolta e azionandola manualmente varie volte.



MANUTENZIONE PERIODICA

- **Una volta al mese:**

1. Ispezionare tutti i collegamenti dei tubi assicurandosi che non vi siano perdite.
2. Spolverare l'adattatore CA [solo tipo CA].

- **Due volte l'anno:**

1. Controllare tutti i collegamenti fissi e stringere se necessario.

INTERRUZIONE DELL'UTILIZZO PER UN LUNGO PERIODO

Se si prevede di non utilizzare il dispenser per un lungo periodo, rimuovere tutto il sapone dal dispenser utilizzando il seguente metodo.

1. Rimuovere il sapone dal serbatoio e sciacquare il serbatoio con acqua.
2. Riempire il serbatoio di acqua e reinstallare il dispenser come di consueto.
3. Risciacquare il condotto con acqua attivando il dispenser finché il sapone smette di uscire dal beccuccio erogatore. Riempire con altra acqua, se necessario.
4. Vuotare l'eventuale acqua rimasta nel serbatoio e far asciugare il serbatoio.
5. Reinserire il serbatoio nel controller.
6. Scollegare l'alimentazione fino al successivo utilizzo.

RISOLUZIONE DEI PROBLEMI

Problema	Condizioni operative	Causa	Soluzione
Il dispenser non eroga sapone	LED verde lampeggiante	Il sapone è in esaurimento	Riempire il serbatoio con sapone liquido.
	LED rosso lampeggiante	Le pile sono in esaurimento	Sostituire le file.
	LED verde acceso con luce fissa	La pompa è inceppata	Pulire la pompa.
		Il sapone ha una viscosità elevata	Passare a un sapone liquido approvato da TOTO.
	-	La finestra del sensore è sporca	Pulire la finestra del sensore.
	-	Il cavo del sensore è staccato	Collegare il cavo.
	-	C'è un ostacolo di fronte alla finestra del sensore	Rimuovere l'ostacolo.
	-	L'alimentazione (adattatore CA o alloggiamento pile) è scollegata	Collegare il cavo.
	-	Il tubo è scollegato	Collegare il tubo.
-	L'adattatore CA non è inserito	Inserire l'adattatore CA.	
Il sapone esce ininterrottamente	-	La finestra del sensore è sporca	Pulire la finestra del sensore.
	-	C'è un ostacolo di fronte alla finestra del sensore	Rimuovere l'ostacolo.
Il sapone esce all'improvviso	-	La finestra del sensore è sporca	Pulire la finestra del sensore.
	-	Il sensore viene disattivato dopo 48 ore di inutilizzo per evitare l'intasamento	-
La quantità di sapone erogata è insufficiente	-	La pompa non funziona correttamente	Pulire la pompa.

CARATTERISTICHE TECNICHE

Alimentazione	DSE101EEB	DSE101EEC	DSE101KE
Alimentazione elettrica	AC AC 100~240V	AC AC 100~240V	DC 4xD 1.5V alkaline batteries
Campo di rilevamento del sensore	5-7/8"±5/8"(150mm±15mm) Il sensore si regola automaticamente.		
Temperatura ambiente	32~104°F (1~40°C)		
Umidità	Umidità relativa max. 90%		
Quantità di sapone	0.03-0.04 oz (0.8-1.2ml)		
Capacità del serbatoio	50 oz (1500ml)		
Adattatore CA	GPBSW0601500WD00	GPUSW0601500WD00	/
Ingresso	100-240 VCA, 50/60 Hz		/
Uscita	6,0 VCC, 1.500 mA		/

ATTENZIONE

Smaltimento corretto del prodotto



Questo simbolo indica che il prodotto non deve essere smaltito insieme ad altri rifiuti domestici in tutta l'UE. Il corretto smaltimento del prodotto eviterà possibili danni all'ambiente o alla salute umana dovuti a uno smaltimento indiscriminato dei rifiuti, e contribuirà a preservare le risorse naturali. Per lo smaltimento utilizzare i sistemi di restituzione e raccolta previsti, oppure contattare il negoziante presso il quale è stato acquistato il prodotto, che si occuperà del riciclaggio nel rispetto dell'ambiente.

GARANZIA

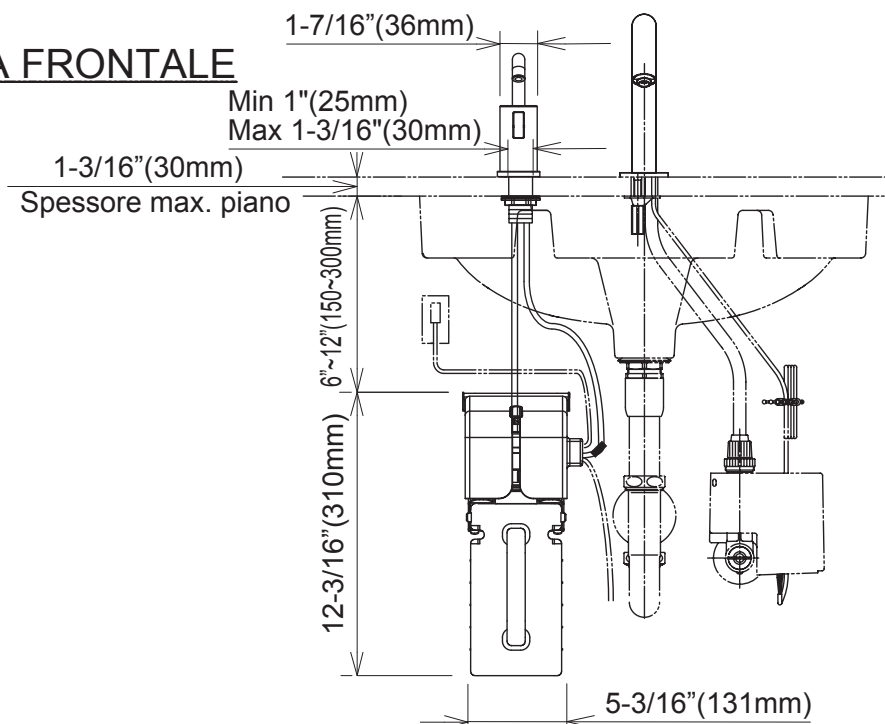
GARANZIA LIMITATA DI DUE ANNI

1. TOTO garantisce che i suoi prodotti saranno privi di difetti di materiale e di fabbricazione in condizioni di utilizzo e servizio normale per un periodo di due (2) anni dalla data di acquisto. La garanzia è concessa esclusivamente all'ACQUIRENTE INIZIALE.
2. In base alla presente garanzia, TOTO è tenuta a riparare o sostituire, a discrezione esclusiva di TOTO, i prodotti o le parti riscontrate difettose, a patto che tali prodotti siano stati installati correttamente e che siano stati utilizzati in conformità con le istruzioni riportate nel presente MANUALE UTENTE. TOTO si riserva il diritto di effettuare le ispezioni necessarie alla determinazione della causa del difetto. Durante le riparazioni o sostituzioni in garanzia, i costi di manodopera o delle parti sostitutive saranno a carico di TOTO.
TOTO non è responsabile del costo della rimozione, restituzione e/o reinstallazione dei prodotti.
3. La presente garanzia non copre i seguenti casi:
 - a) Danni o perdite dovuti a calamità naturali, quali ad esempio incendi, terremoti, allagamenti, fulmini, temporali, ecc.
 - b) Danni o perdite dovuti a uso scorretto, improprio o irrazionale, maltrattamento, negligenza o manutenzione scorretta del prodotto.
 - c) Danni o perdite dovuti a rimozione, riparazioni scorrette o modifiche al prodotto.
 - d) Danni o perdite dovuti alla presenza di sedimenti o corpi estranei nella rete idraulica.
 - e) Danni o perdite dovuti alla qualità dell'acqua presente nella regione dove viene utilizzato il prodotto.
 - f) Danni o perdite dovuti a installazione scorretta o all'installazione dell'unità in ambienti difficili e/o pericolosi.
4. La presente garanzia conferisce all'utente diritti legali specifici. Eventuali altri diritti possono variare da un paese all'altro.
5. Per richiedere una riparazione in garanzia, è necessario portare il prodotto presso un centro di assistenza TOTO, o inviarlo con consegna prepagata, allegando una lettera di accompagnamento contenente una descrizione del problema. In alternativa è possibile contattare un distributore TOTO o centro di assistenza autorizzato, oppure rivolgersi direttamente all'ufficio vendite TOTO. Nel caso in cui le dimensioni del prodotto o la natura del difetto impediscano la restituzione del prodotto a TOTO, sarà possibile inviare a TOTO una comunicazione scritta con la segnalazione del guasto. In tal caso, TOTO potrà scegliere se riparare il prodotto presso la sede del cliente o pagare il trasporto del prodotto in un centro di assistenza.

LA PRESENTE GARANZIA SCRITTA È L'UNICA GARANZIA CONCESSA DA TOTO. LA PRESENTE GARANZIA PREVEDE ESPRESSAMENTE LA SOLA RIPARAZIONE O SOSTITUZIONE DEL PRODOTTO. TOTO NON POTRÀ ESSERE RITENUTA RESPONSABILE IN CASO DI MANCATO UTILIZZO DEL PRODOTTO O PER ALTRI DANNI DIRETTI O INDIRETTI O ALTRI COSTI SOSTENUTI DALL'ACQUIRENTE, O PER SPESE DI MANODOPERA O O ALTRI COSTI DOVUTI ALL'INSTALLAZIONE O RIMOZIONE, O COSTI SOSTENUTI PER RIPARAZIONI EFFETTUATE DA ALTRI, O PER ALTRE SPESE NON SPECIFICAMENTE INDICATE IN PRECEDENZA. NELLA MISURA CONSENTITA DALLE LEGGI IN VIGORE, LE EVENTUALI GARANZIE IMPLICITE, IVI COMPRESSE GARANZIE DI COMMERCIALIZZABILITÀ O IDONEITÀ PER UN USO SPECIFICO, SARANNO LIMITATE ALLA DURATA DELLA PRESENTE GARANZIA. ALCUNI STATI NON CONSENTONO L'ESCLUSIONE DELLE GARANZIE IMPLICITE O LIMITAZIONI O ESCLUSIONI DI RESPONSABILITÀ PER DANNI DIRETTI O INDIRETTI, PER CUI I LIMITI E LE ESCLUSIONI SOPRA CITATE POTREBBERO NON APPLICARSI AL CASO SPECIFICO DEL CLIENTE.

DIMENSIONI APPROSSIMATIVE

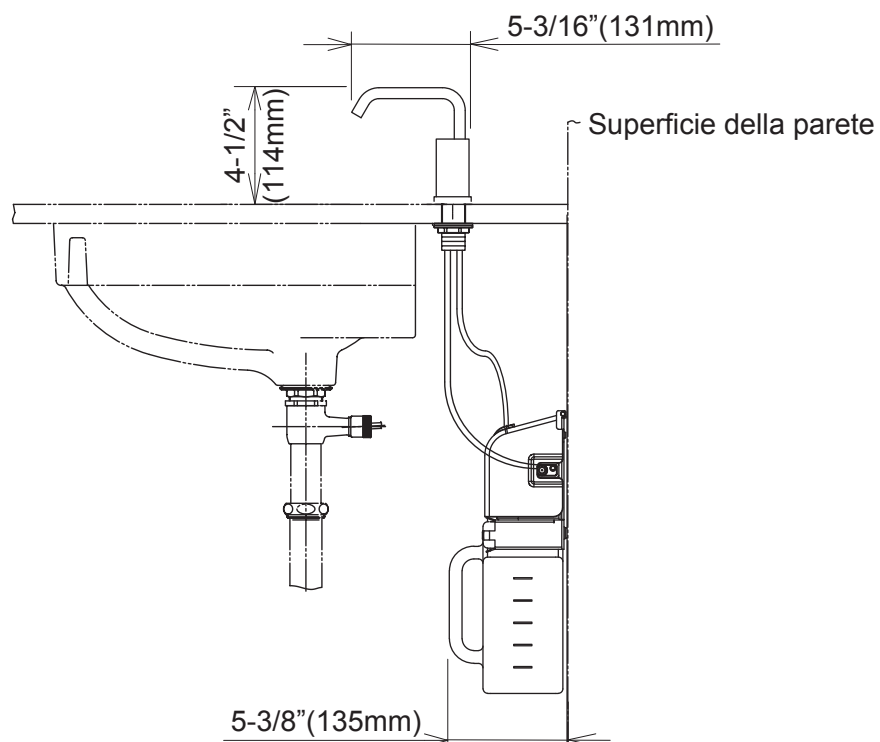
VISTA FRONTALE



Lunghezza del tubo: 17-3/4" (450mm)
Lunghezza del cavo del sensore: 19-3/4" (500mm)
Lunghezza cavo di alimentazione: 59" (1500mm)

Superficie del pavimento

VISTA LATERALE



Superficie del pavimento

Unità di misura: pollici (mm)

INHALTSVERZEICHNIS

Danke, dass Sie sich für TOTO entschieden haben!	47
Warnungen	47-48
Vor der Montage	48
Lieferumfang	48
Benötigtes Werkzeug	48
Montage des Spenders und des Vorratsbehälters	49
Montagevorgang	50-54
Testen	55
So verwenden Sie dieses Produkt	55
Nachfüllen der Seife	56
Austauschen der Batterie [Typ-Batterie]	57
Pflege und Reinigung	57-58
Regelmäßige Wartung	58
Langfristiger Nichtgebrauch	58
Problembeseitigung	59
Technische Daten	59
Achtung	59
Garantie	60
Einbauabmessungen	61

DANKE, DASS SIE SICH FÜR TOTO ENTSCHIEDEN HABEN!

TOTO möchte der Welt eine gesunde, hygienische und komfortablere Lebensweise bieten. Unsere Richtlinie für die Entwicklung jedes Produktes ist das Gleichgewicht zwischen Form und Funktion. Herzlichen Glückwunsch zu Ihrer Wahl.

WARNUNGEN

Lesen und befolgen Sie die folgenden Hinweise. Andernfalls kann es zu Personenschäden und/oder Sachschäden kommen.

- Außer einem Servicetechniker darf niemand anderes diesen Spender auseinandernehmen, reparieren oder verändern, außer es ist in dieser Anleitung explizit beschrieben. Andernfalls kann es zu einem Stromschlag oder zu einer Fehlfunktion des Produktes kommen.
- Verwenden Sie diesen Spender nicht an einem Ort mit hoher Luftfeuchtigkeit, an dem sich auf der Oberfläche Kondensat bilden kann, insbesondere nicht in einer Sauna oder einem Dampfbad.
- Schlagen oder treten Sie nicht gegen den Spender oder das Steuergerät, da es andernfalls zu Schäden am Gerät oder zu einem Leck kommen kann.
- Verwenden Sie diesen Spender nicht, wenn die Raumtemperatur unter den Gefrierpunkt fällt.
- Stellen Sie sicher, dass das Netzkabel nicht mit der Heißwasserzufuhr in Kontakt kommt.
- Vermeiden Sie, Gegenstände innerhalb des Erkennungsbereiches des Infrarotsensors zu platzieren.
- Verwenden Sie nur von TOTO erprobte Seife.
- Achten Sie darauf, dass der elektrische Anschluss sich an einer Position befindet, an der er während des Gebrauchs nicht nass wird.
- Das Gerät darf nur mit dem mitgelieferten Netzteil verwendet werden:
Netzteil GPBSW0601500WD00 für DSE101EEB;
Netzteil GPUSW0601500WD00 für DSE101EEC.

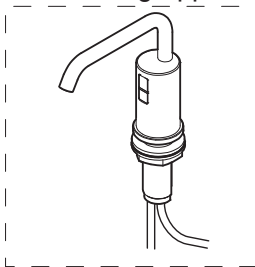
- Dieses Gerät kann von Kindern ab 8 Jahren und Personen mit eingeschränkten physischen, sensorischen oder mentalen Fähigkeiten oder fehlender Erfahrung und Kenntnis verwendet werden, wenn sie dabei beaufsichtigt werden oder in die sichere Verwendung des Geräts eingewiesen wurden und die damit verbundenen Gefahren verstehen.
- Kinder dürfen nicht mit dem Gerät spielen.
- Die Reinigung und Wartung durch den Benutzer darf nicht durch Kinder ohne Beaufsichtigung durchgeführt werden.
- Halten Sie das Netzteil immer trocken. Positionieren Sie es weit entfernt von der Wasserleitung oder Stellen, an die leicht Wasser spritzen kann.

VOR DER MONTAGE

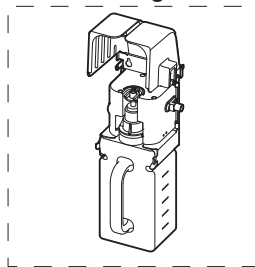
- Lesen Sie sich diese Anweisungen sorgfältig durch, um eine ordnungsgemäße Montage sicherzustellen.
- TOTO behält sich das Recht vor, das Produktdesign ohne Vorankündigung zu ändern.
- Stellen Sie sicher, dass die auf der folgenden Seite aufgeführten Teile im Lieferumfang enthalten sind.

LIEFERUMFANG

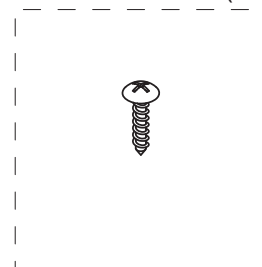
Dosierergruppe



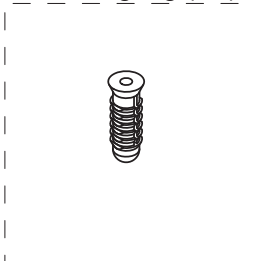
Steuergerät



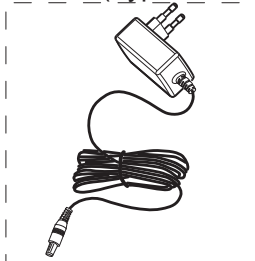
Schneidschraube (X3)



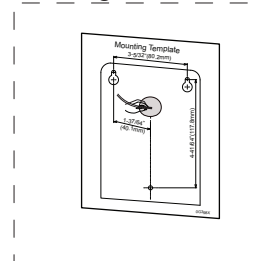
Befestigung (X3)



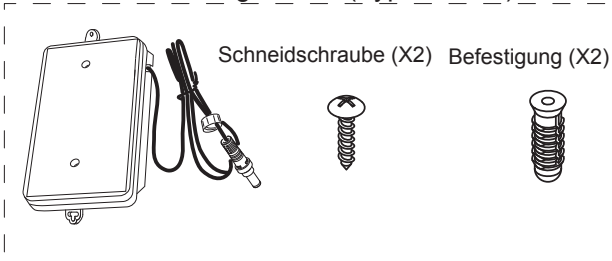
Netzteil (Typ-Netzteil)



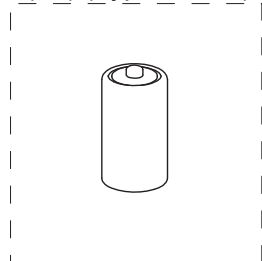
Montageschablone



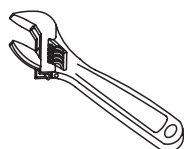
Batteriegehäuse (Typ-Batterie)



Alkali-Mangan-Batterie (D, 1,5 V)
(X4) (Typ-Batterie)



BENÖTIGTES WERKZEUG



Verstellbarer Schraubenschlüssel

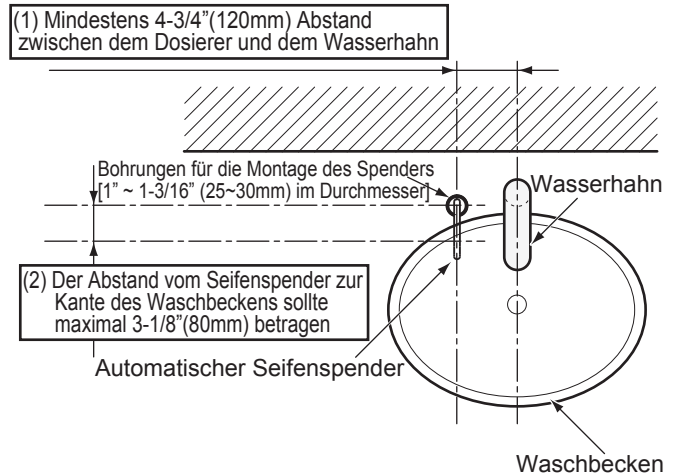


Schraubendreher (Kreuzschlitzschraubendreher)

MONTAGE DES SPENDERS UND DES VORRATSBEHÄLTERS

Position des Spenders

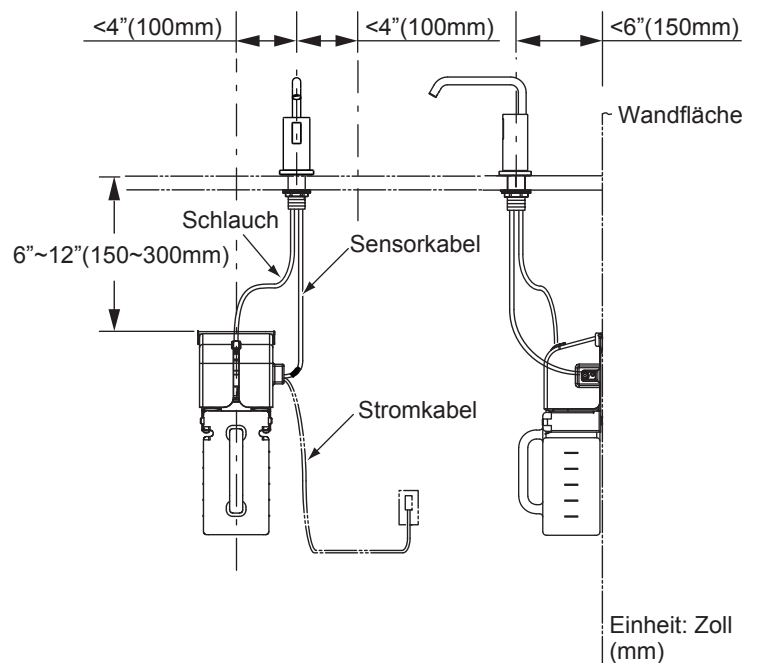
1. Lassen Sie unbedingt ungefähr 4-3/4" (120mm) Platz zwischen dem Seifenspender und dem Wasserhahn, um eine versehentliche Aktivierung zu verhindern.
2. Lassen Sie 3-1/8"(80mm) Abstand von der Innenkante des Waschbeckens zu den Montagebohrungen für den Dosierer, um sicherzustellen, dass tropfende Seifenreste vom Dosierspender in das Waschbecken tropfen.



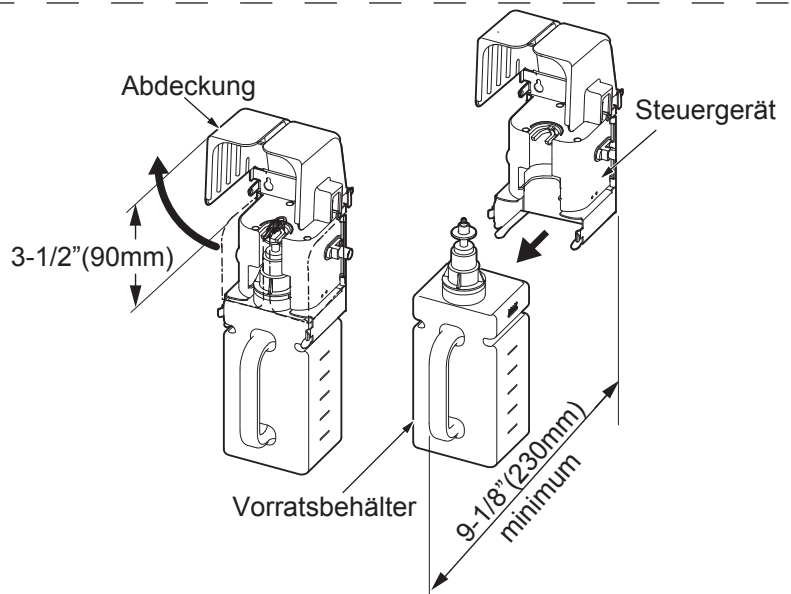
Position des Vorratsbehälters

1. Wenn Sie das Steuergerät montieren, stellen Sie sicher, dass der Schlauch und die Kabel an den Vorratsbehälter heranreichen.
2. Wenn der Schlauch zu lang ist, schneiden Sie es auf die passende Länge zu.

Rohrlänge: 17-3/4" (450 mm)
 Sensorkabellänge: 19-3/4" (500 mm)
 Netzkabellänge: 59" (1500 mm)

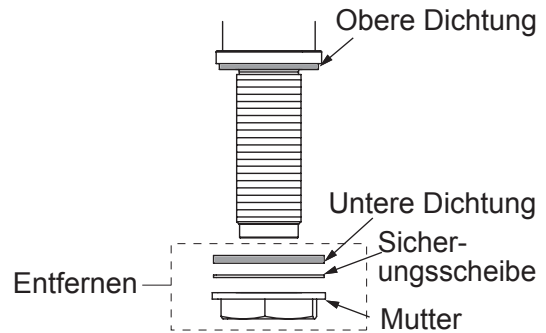


3. Achten Sie darauf, dass ausreichend Platz zum Nachfüllen/Austauschen des Seifenbehälters bleibt.



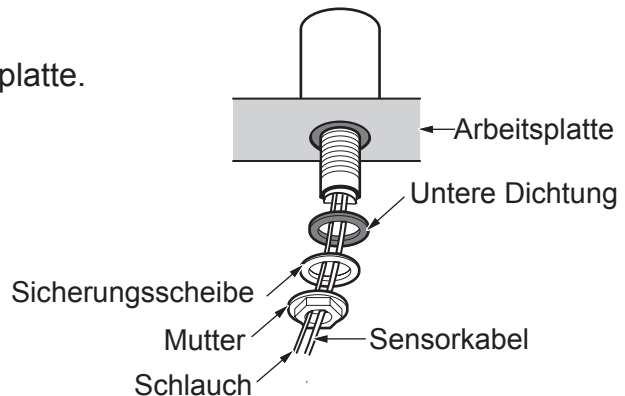
MONTAGEVORGANG - Dosierer

1. Entfernen Sie die Mutter, die Sicherungsscheibe und die untere Dichtung.

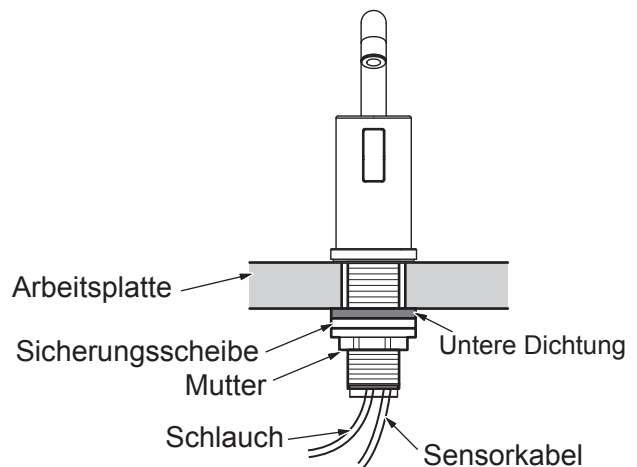


2. Installieren Sie den Dosierer auf der Arbeitsplatte.

3. Montieren Sie die untere Dichtung, die Sicherungsscheibe und die Mutter in dieser Reihenfolge.



4. Prüfen Sie die Ausrichtung des Dosierers und ziehen Sie die Mutter fest.



MONTAGEVORGANG - Steuergerät

1. Wählen Sie die Position des Steuergeräts und der Montageschablone.

Stellen Sie sicher, dass das Sensorkabel und das Seifenrohr die Montageschablone erreichen können.

2. Markieren Sie die Position der Montagebohrungen.

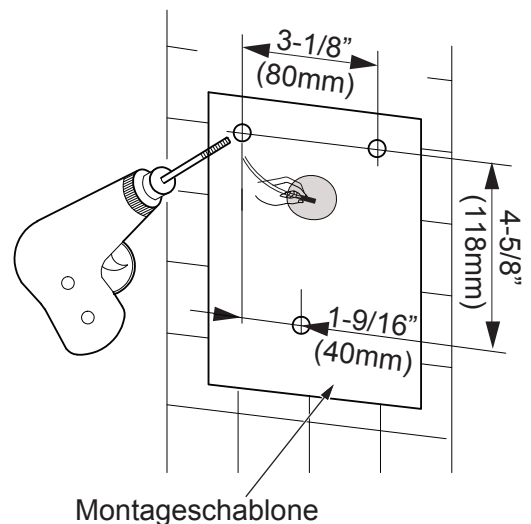
3. Bohren Sie drei Löcher.

Tiefe der Löcher: $\leq 1"$ (25mm)

Größe: $7/64"$ (3 mm) ohne Stecker

$1/4"$ (7 mm) mit Stecker

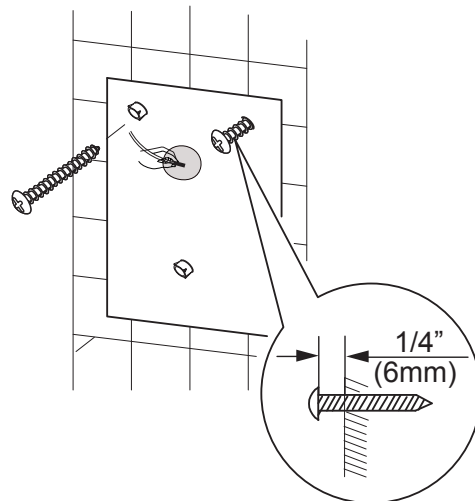
Wichtig: Die Montageschablone muss waagrecht sein.



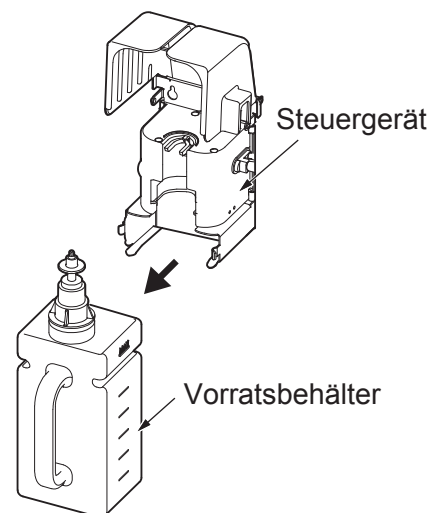
Montageschablone

4. Drehen Sie die Schneidschrauben in die oberen beiden Bohrungen ein, bis ein Abstand von 1/4" (6mm) zwischen dem Schraubenkopf und der Wand besteht.

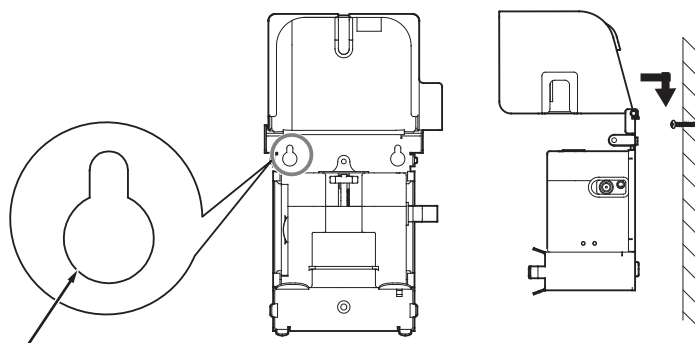
Verwenden Sie bei Bedarf die Befestigungen.



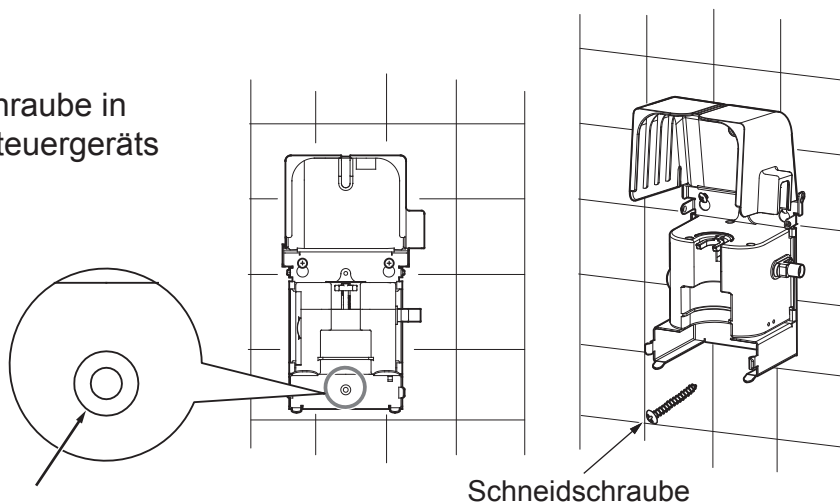
5. Trennen Sie den Vorratsbehälter vom Steuergerät.



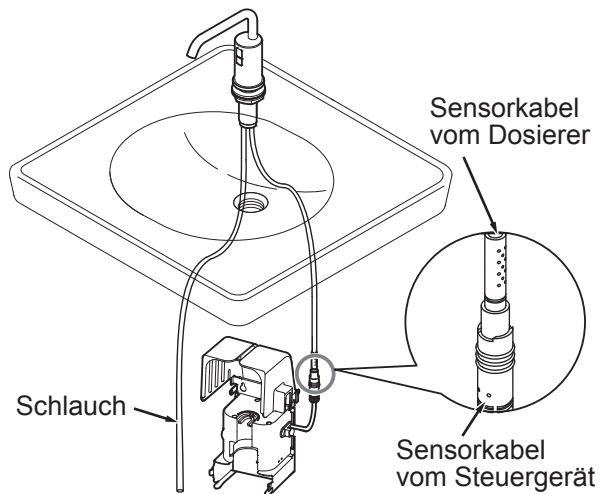
6. Hängen Sie das Steuergerät auf die beiden Schrauben.



7. Setzen Sie eine Schneidschraube in das untere Bohrloch des Steuergeräts ein und ziehen Sie sie fest.



8. Schließen Sie das Sensorkabel an.

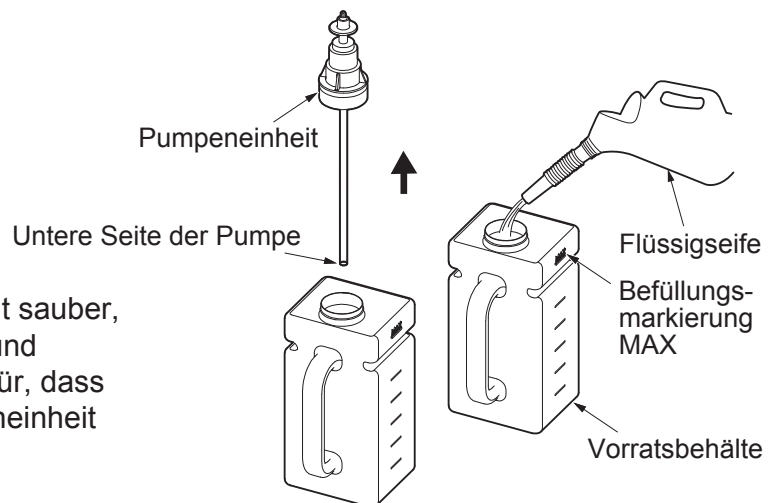


MONTAGEVORGANG - Vorratsbehälter

1. Trennen Sie die Pumpeneinheit vom Vorratsbehälter.

2. Gießen Sie langsam Flüssigseife in den Vorratsbehälter.

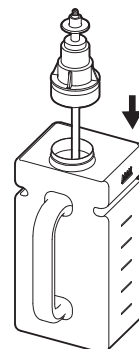
HINWEIS: Halten Sie die Pumpeneinheit sauber, während Sie Seife einfüllen und sorgen Sie insbesondere dafür, dass das untere Ende der Pumpeneinheit keinen Bodenkontakt hat.



HINWEIS: Befüllen Sie den Vorratsbehälter bis zur Markierung MAX.

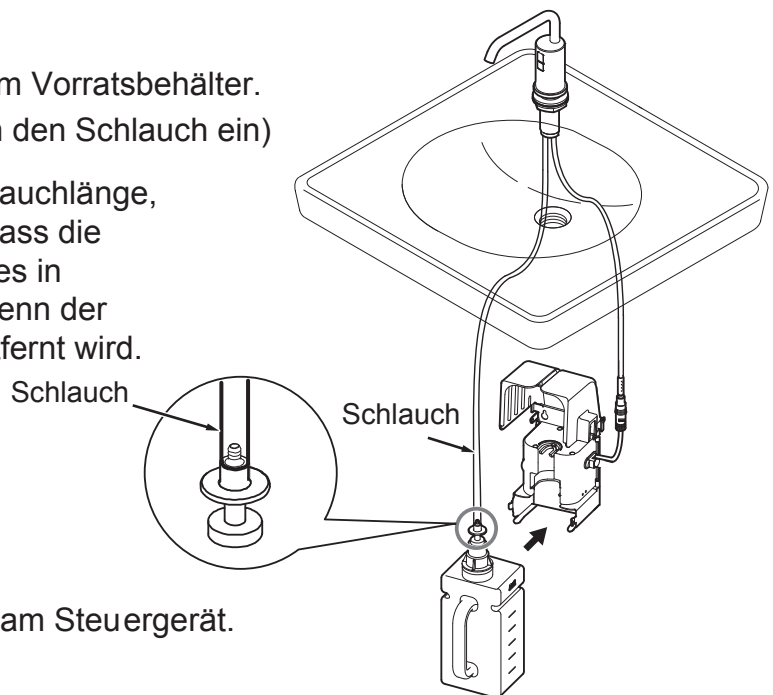
HINWEIS: Verwenden Sie nur von TOTO erprobte Seife.

3. Setzen Sie die Pumpe wieder ein, indem Sie sie fest auf die Vorratsbehälteröffnung drücken, bis sie einrastet.



4. Verbinden Sie den Schlauch mit dem Vorratsbehälter.
(Setzen Sie die Spitze vollständig in den Schlauch ein)

HINWEIS: Achten Sie auf eine Schlauchlänge, bei der verhindert wird, dass die Unterseite des Schlauches in Bodenkontakt gelangt, wenn der Tank zum Nachfüllen entfernt wird.



5. Befestigen Sie den Vorratsbehälter am Steuergerät.

MONTAGEVORGANG - Verbindung mit der Stromversorgung

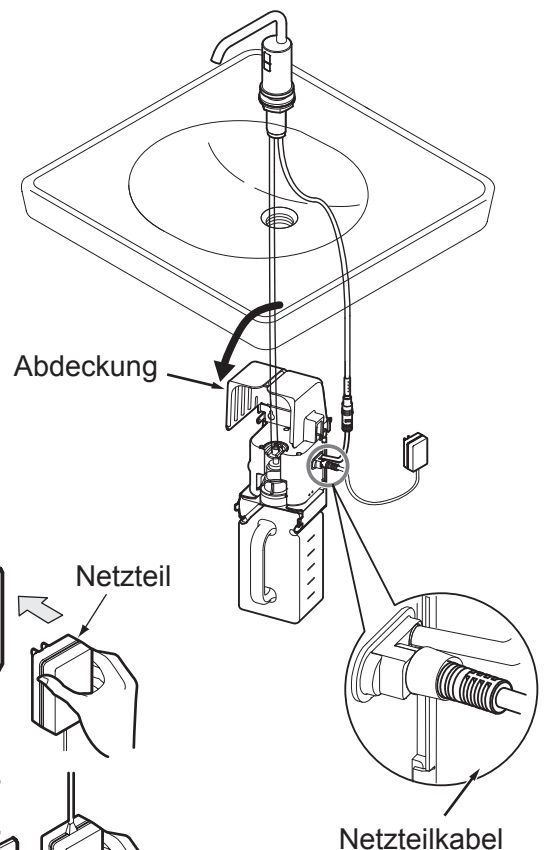
HINWEIS: Bestimmen Sie eine Stecklosen-Position, die den in Ihrem Land geltenden Vorschriften entspricht.

[Typ-Netzteil]

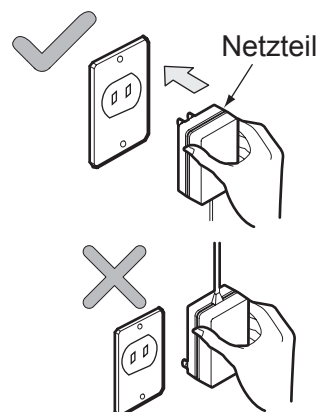
1. Schließen Sie das Kabel des Netzteils an das Steuergerät an.

2. Stecken Sie das Netzteil in eine (geeignete) Netzsteckdose.

HINWEIS: Schließen Sie das Netzteil nicht verkehrtherum an.



3. Schließen Sie das Kabel des Netzteils an das Steuergerät an.

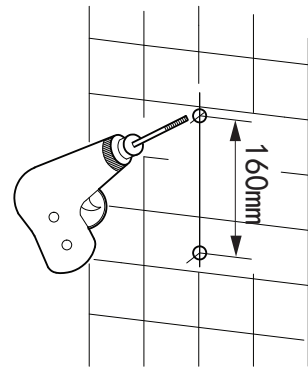


4. Schließen Sie die Abdeckung.

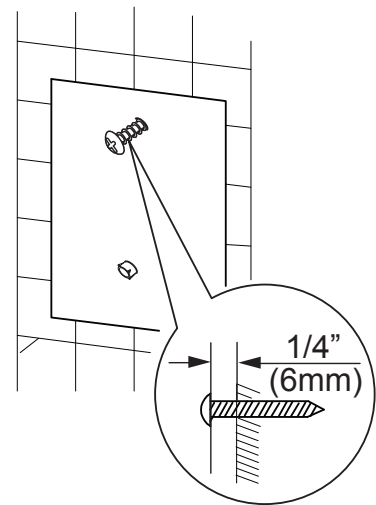
MONTAGEVORGANG - Batteriefach

[Typ-Batterie]

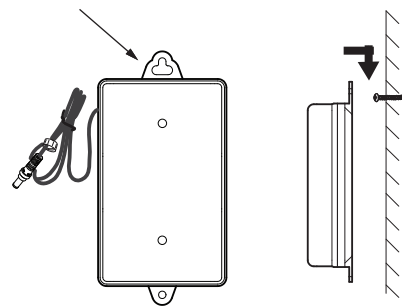
1. Wählen Sie eine Position für das Batteriefach.
Stellen Sie sicher, dass das Netzkabel das Steuergerät erreicht.
2. Markieren Sie die Position der Montagebohrungen.
3. Bohren Sie zwei Löcher.
Tiefe der Löcher: $\leq 1"$ (25mm)
Größe: $7/64"$ (3 mm) ohne Stecker
 $1/4"$ (7 mm) mit Stecker



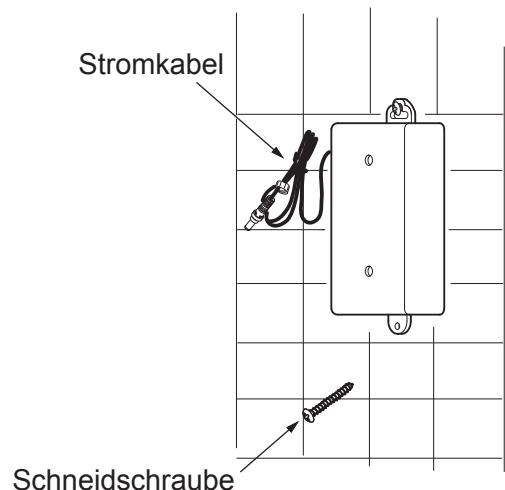
4. Setzen Sie eine Schneidschraube in die obere Bohrung ein, bis ein Abstand von $1/4"$ (6mm) zwischen dem Schraubenkopf und der Wand besteht.
Verwenden Sie bei Bedarf die Befestigungen.



5. Hängen Sie das Batteriefach an der Schraube auf.



6. Setzen Sie eine Schneidschraube durch das untere Bohrloch des Fachs ein und ziehen Sie sie fest.
7. Schließen Sie das Netzkabel an das Steuergerät an.

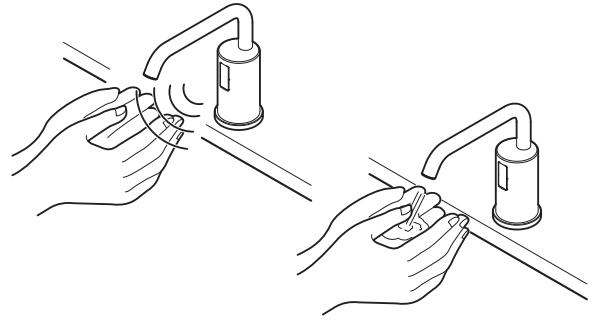


TESTEN

Überprüfen Sie nach dem Abschluss der Montage anhand der folgenden Schritte, ob der Spender ordnungsgemäß funktioniert.

1. Halten Sie die Hände unter den Dosierspender und halten Sie sie dort, bis Seife ausgegeben wird.

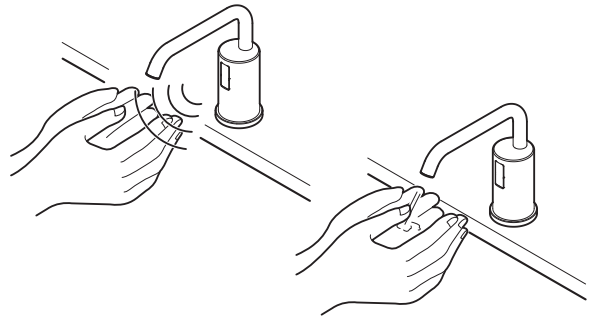
HINWEIS: Stellen Sie sicher, dass weder aus der Rohr noch den Verbindungen Seife austritt.



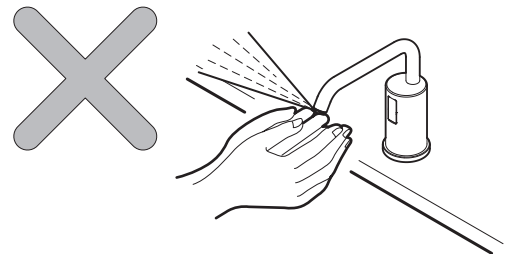
SO VERWENDEN SIE DIESES PRODUKT

Halten Sie Ihre Hände unter den Dosierspender.

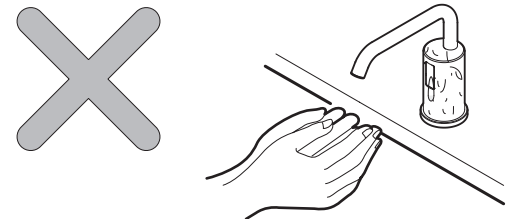
- Die richtige Menge Seife wird automatisch ausgegeben.



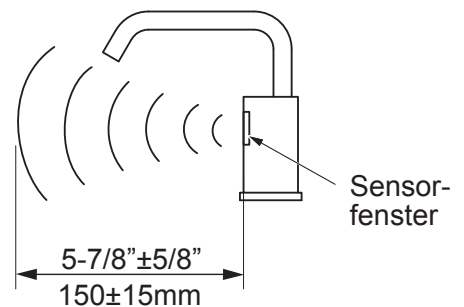
Vorsicht: Blockieren Sie die Dosieröffnung des Spenders nicht. Die Seife kann sonst in irgendeine Richtung wegspritzen.



Vorsicht: Lassen Sie keine Flüssigseife auf den Spender gelangen. Wenn der Sensor verschmutzt, kann es zu einer Fehlfunktion kommen.

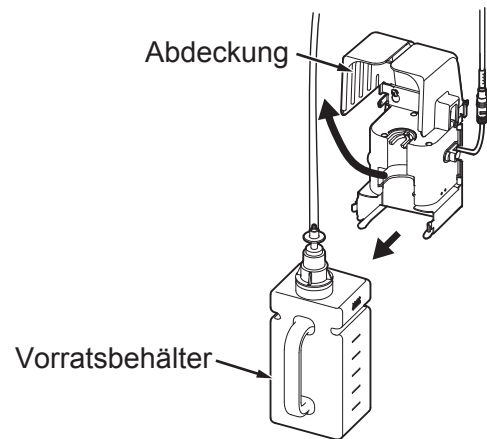


Der Erkennungsbereich des Sensors liegt bei $5\text{-}7\frac{7}{8}\text{''}\pm 5\frac{1}{8}\text{''}$ ($150\text{ mm}\pm 15\text{ mm}$).

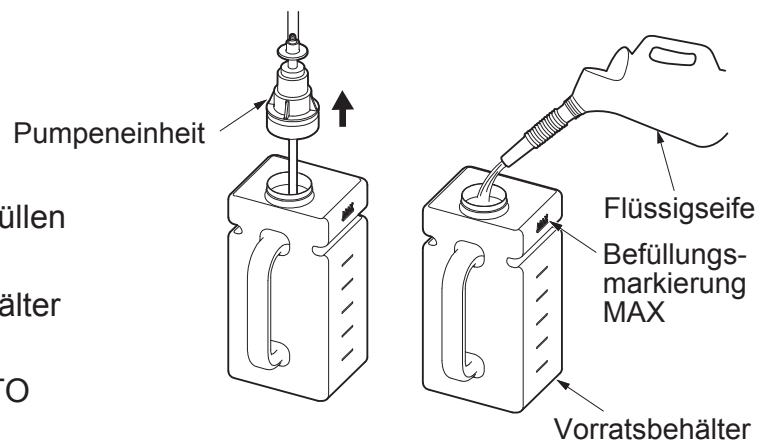


NACHFÜLLEN DER SEIFE

1. Öffnen Sie die Abdeckung.
2. Trennen Sie den Vorratsbehälter vom Steuergerät.



3. Trennen Sie die Pumpeneinheit vom Behälter.
4. Gießen Sie langsam Flüssigseife in den Vorratsbehälter.

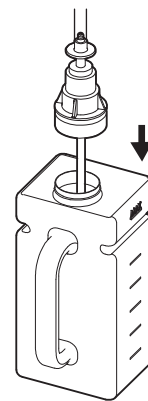


HINWEIS: Reinigen Sie vor dem Nachfüllen den Behälter.

HINWEIS: Befüllen Sie den Vorratsbehälter bis zur Markierung MAX.

HINWEIS: Verwenden Sie nur von TOTO erprobte Seife.

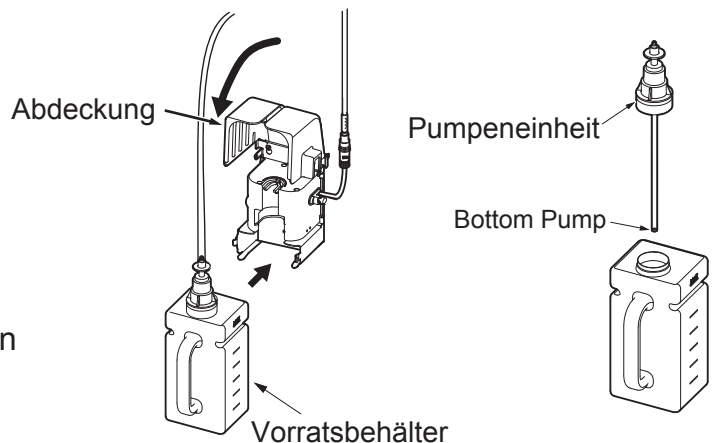
5. Setzen Sie die Pumpe wieder ein, indem Sie sie fest auf die Vorratsbehälteröffnung drücken, bis sie einrastet.



6. Befestigen Sie den Vorratsbehälter am Steuergerät.

7. Schließen Sie die Abdeckung.

8. Füllen Sie die Leitung, indem Sie die Hände unter die Ausgusstülle halten, bis Seife austritt. Unmittelbar nach dem Nachfüllen kann der Spender bis zu zehn Mal hintereinander betätigt werden, während Sie die Hände unter die Ausgusstülle halten.



AUSTAUSCHEN DER BATTERIE [Typ-Batterie]

1. Lösen Sie die Abdeckung des Batteriefachs.

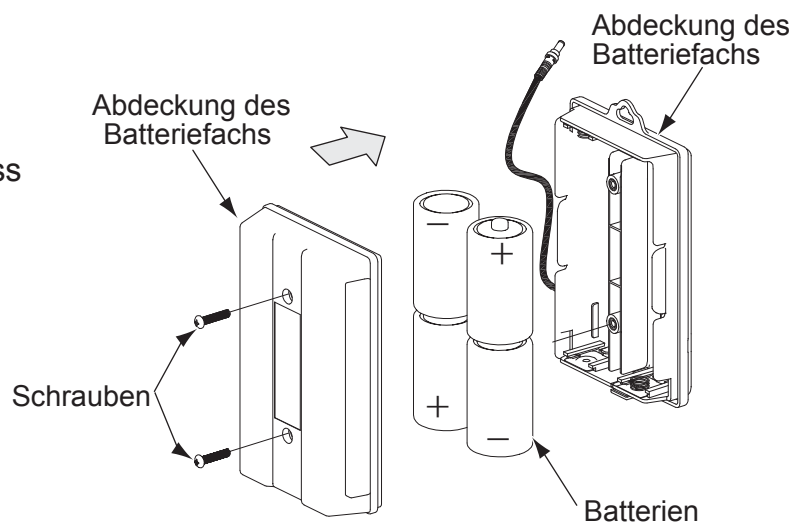
2. Setzen Sie 4 Alkali-Mangan Batterien ein (D, 1,5 V).

HINWEIS: Stellen Sie sicher, dass die Batterien in der richtigen Ausrichtung (Polarität) eingesetzt wurden.

3. Bringen Sie die Batterie-fachabdeckung wieder an.

4. Ziehen Sie die Schrauben fest.

- Die Standardlebensdauer beträgt 2 Jahre bei 2000-maligem Gebrauch monatlich.



PFLEGE UND WARTUNG

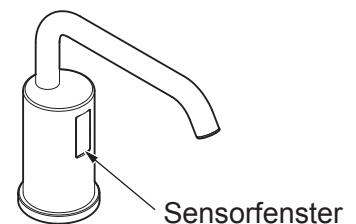
- **Bei leichten Verschmutzungen**

Wischen Sie alle Rückstände ab, die am Spender oder dem Sensor haften.



- **Bei starken Verschmutzungen**

Wischen Sie die Rückstände mit einem feuchten Tuch ab, das eine ausreichende Menge neutrales Geschirrspülmittel enthält. Wischen Sie dann mit einem feuchten Tuch nach.

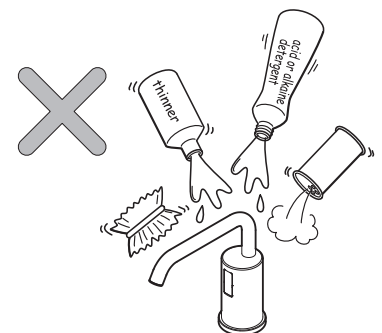


- Bei der Reinigung im Bereich des Sensors: Achten Sie darauf, die Oberfläche des Sensorfensters nicht zu verkratzen.

- Verwenden Sie keine Reinigungsmittel, die die Oberfläche des Spenders beschädigen könnten.

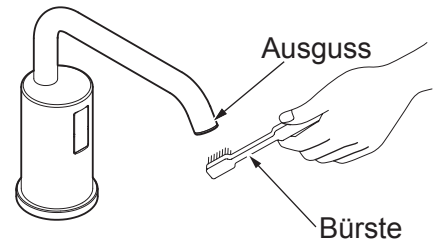
Dazu gehören:

- Reinigungsmittel mit Säuren, Chlorbleiche oder Basen.
- Reinigungsmittel, die normalerweise grobe Partikel enthalten, wie zum Beispiel Poliermittel.
- Reinigungsmittel wie Farbverdünner oder Benzol.
- Scheuerhilfsmittel wie Scheuerschwämme-/bürsten, Stahlwolle usw.



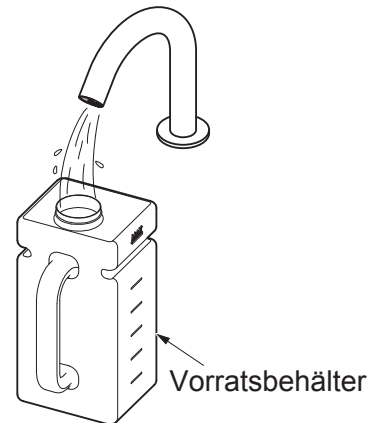
- **Bei der Ausgussreinigung**

Reinigen Sie den Dosierer mit einer weichen Bürste, um etwaigen Schmutz von der Blende zu entfernen.



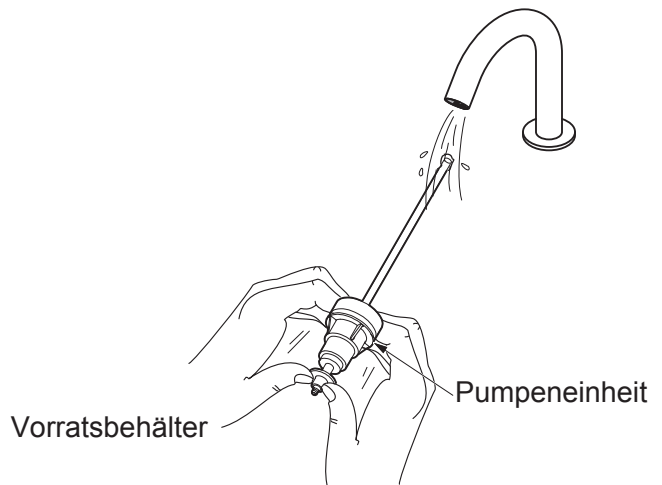
- **Bei der Reinigung des Vorratsbehälters**

Waschen Sie den Vorratsbehälter mit Wasser aus, um ihn zu säubern.



- **Zur Reinigung der Pumpeneinheit**

Wenn die Pumpe klebrig ist oder es zu einem Rückfluss kommt, waschen Sie die Pumpeneinheit mit Wasser aus, während Sie sie verkehrt herum halten, und drücken Sie die Pumpe mehrmals manuell.



REGELMÄSSIGE WARTUNG

- **Einmal im Monat:**

1. Prüfen Sie alle Rohrverbindungen auf Zeichen eines Lecks.
2. Wischen Sie den Staub vom Netzteil [nur Wechselstromtyp].

- **Zweimal im Jahr:**

1. Prüfen Sie alle festen Verbindungen und ziehen Sie sie bei Bedarf fest.

LANGFRISTIGER NICHTGEBRAUCH

Wenn Sie den Spender über längere Zeit nicht benutzen, entfernen Sie alle Seife aus dem Spender; gehen Sie dazu wie folgt vor.

1. Entfernen Sie die Seife aus dem Tank und spülen Sie den Tank mit Wasser aus.
2. Füllen Sie den Tank mit Wasser und setzen Sie den Spender wie gewohnt ein.
3. Spülen Sie die Leitung mit Wasser, indem Sie den Spender betätigen, bis keine Seife mehr aus der Ausgusstülle austritt. Füllen Sie bei Bedarf Wasser nach.
4. Leeren Sie im Tank zurückgebliebenes Wasser und lassen Sie den Tank trocknen.
5. Setzen Sie den Tank zurück in die Steuerung.
6. Trennen Sie die Stromversorgung, bis Sie das Gerät wieder in Betrieb nehmen.

PROBLEMBEHEBUNG

Problem	Betrieb	Ursache	Lösung	
Es tritt keine Seife aus.	Die grüne LED blinkt.	Es ist nur noch wenig Seife im Vorratsbehälter.	Füllen Sie den Vorratsbehälter mit Flüssigseife.	
	Die rote LED blinkt.	Die Batterie ist schwach.	Tauschen Sie die Batterie aus.	
	Die grüne LED leuchtet.	Die Pumpe ist verklebt.		Reinigen Sie die Pumpeneinheit.
		Die Viskosität der Seife ist zu hoch.		Wechseln Sie zu von TOTO erprobter Seife.
	-	Das Sensorfenster ist verschmutzt.	Reinigen Sie das Sensorfenster.	
	-	Das Sensorkabel wurde getrennt.	Schließen Sie das Kabel an.	
	-	Vor dem Sensorfenster befindet sich ein Hindernis.	Entfernen Sie das Hindernis.	
	-	Die Stromversorgung (Netzteil oder Batteriefach) wurde getrennt.	Schließen Sie das Kabel an.	
	-	Das Rohr wurde getrennt.	Schließen Sie das Rohr an.	
-	Das Netzteil ist nicht angeschlossen.	Schließen Sie das Netzteil an.		
Die Seife läuft immer weiter.	-	Das Sensorfenster ist verschmutzt.	Reinigen Sie das Sensorfenster.	
	-	Vor dem Sensorfenster befindet sich ein Hindernis.	Entfernen Sie das Hindernis.	
Es tritt unerwartet Seife aus.	-	Das Sensorfenster ist verschmutzt.	Reinigen Sie das Sensorfenster.	
	-	Der Sensor wird nach 48 Stunden ohne Verwendung getrennt, um ein Verstopfen zu verhindern.	-	
Es wird nur sehr wenig Seife abgegeben.	-	Die Pumpe arbeitet nicht ordnungsgemäß.	Reinigen Sie die Pumpeneinheit.	

TECHNISCHE DATEN

Stromversorgung	DSE101EEB	DSE101EEC	DSE101KE
Stromversorgung	AC AC 100~240V	AC AC 100~240V	DC 4×D 1.5V alkaline batteries
Erkennungsbereich Sensor	5-7/8"±5/8"(150mm±15mm) Der Sensor ist selbstregelnd.		
Umgebungstemperatur	32~104°F (1~40°C)		
Luftfeuchtigkeit	Max. 90 % relative Luftfeuchtigkeit		
Seifenmenge	0.03-0.04 oz (0.8-1.2ml)		
Kapazität Vorratsbehälter	50 oz (1500ml)		
Netzteil	GPBSW0601500WD00	GPUSW0601500WD00	/
Eingang	100-240 V Wechselstrom, 50/60 Hz		/
Ausgang	6,0 V Gleichstrom, 1.500 mA		/

ACHTUNG

Korrekte Entsorgung des Produktes



Diese Markierung zeigt an, dass dieses Produkt in der EU nicht zusammen mit anderen Hausabfällen entsorgt werden sollte. Um schädliche Auswirkungen auf Umwelt und Gesundheit durch unsachgemäße Entsorgung zu verhindern, verwenden Sie die entsprechenden Rücknahmesysteme, sodass dieses Gerät ordnungsgemäß wiederverwendet werden kann. Verwenden Sie zur Rückgabe des gebrauchten Geräts bitte die entsprechenden Rückgabe- und Sammelsysteme oder wenden Sie sich an den Händler, bei dem das Produkt gekauft wurde. Er kann dieses Produkt annehmen und einer umweltfreundlichen Wiederverwertung zuführen.

GARANTIE

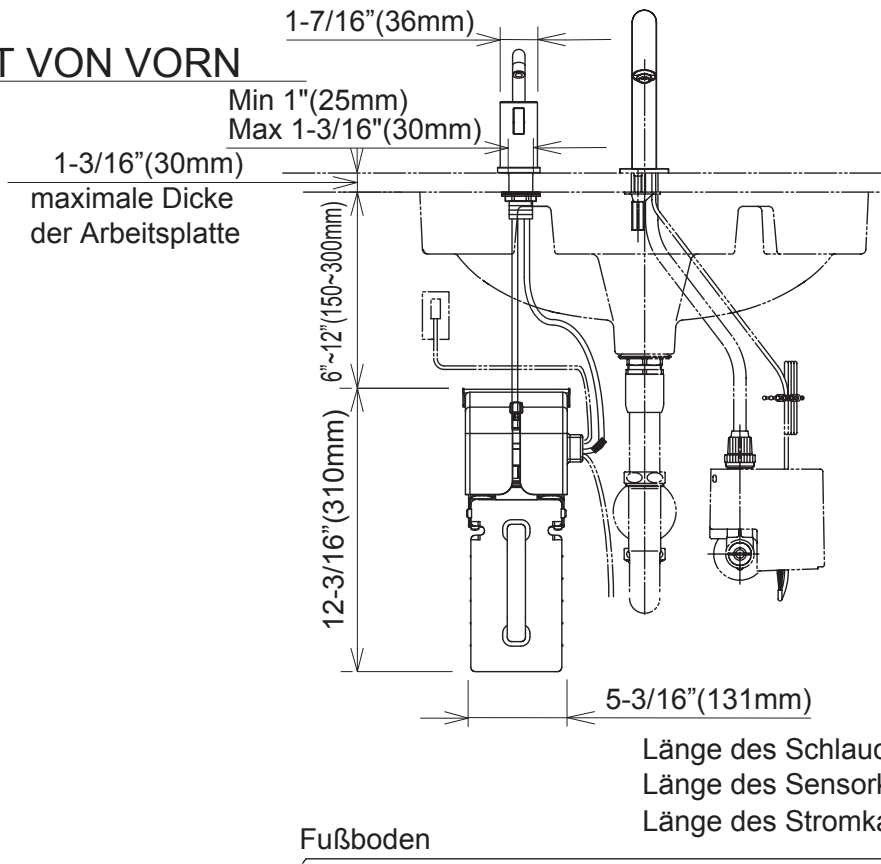
ZWEI JAHRE GARANTIE

1. TOTO gewährleistet, dass seine Produkte bei normalem Gebrauch frei von Produktionsfehlern sind und gewährt eine Garantie von zwei (2) Jahren ab Kaufdatum. Diese Garantie wird nur dem URSPRÜNGLICHEN KÄUFER gewährt.
2. TOTOs Verpflichtungen unter diesen Garantiebestimmungen erstrecken sich auf die Reparatur oder, nach TOTOs Ermessen, den Umtausch fehlerhafter Produkte oder Teile, sofern diese Produkte korrekt installiert und gemäß der BEDIENUNGSANLEITUNG benutzt wurden. TOTO behält sich das Recht vor, bei Bedarf Kontrollen durchzuführen, um die Ursache des Defekts zu bestimmen. TOTO wird für die Arbeitszeit oder -mittel, die für Reparaturarbeiten und Umtausch im Rahmen der Garantie eingesetzt wurden, keine Gebühren erheben.
TOTO übernimmt keine Kosten für Demontage, Rücksendung und/oder Neuinstallation der Produkte.
3. Die Garantie gilt nicht für Folgendes:
 - a) Schäden oder Verluste durch äußere Ursachen wie Feuer, Erdbeben, Überschwemmungen, Gewitter etc.
 - b) Schäden oder Verluste aufgrund unsachgemäßer, falscher oder missbräuchlicher Benutzung oder unsachgemäßer Wartung des Produkts.
 - c) Schäden oder Verluste aufgrund von Demontage, unsachgemäßer Reparatur oder Veränderungen am Produkt.
 - d) Schäden oder Verluste aufgrund von Ablagerungen oder Fremdkörpern im Wassersystem.
 - e) Schäden oder Verluste aufgrund der Qualität des Wassers in der Region, in der das Produkt verwendet wird.
 - f) Schäden oder Verluste aufgrund von unsachgemäßer Installation oder Installation des Geräts in einer widrigen oder gefährlichen Umgebung.
4. Diese Garantie räumt Ihnen bestimmte Rechte ein. Diese Rechte können von Land zu Land variieren.
5. Damit Sie im Rahmen dieser Garantie Reparaturleistungen erhalten, bringen Sie das Produkt zu einer TOTO-Servicestelle oder senden Sie es auf eigene Kosten dorthin, und legen Sie ein Schreiben, in dem das Problem geschildert wird, bei, kontaktieren Sie einen TOTO-Händler oder eine Servicestelle oder direkt an die TOTO-Vertriebsstelle. Wenn das Produkt aufgrund seiner Größe oder der Art des Schadens nicht an TOTO gesandt werden kann, ist anstelle dessen eine schriftliche Benachrichtigung über den Defekt an TOTO zu senden. In diesem Fall kann TOTO das Produkt entweder vor Ort reparieren lassen oder den Transport des Produkts zu einer Servicestelle bezahlen.

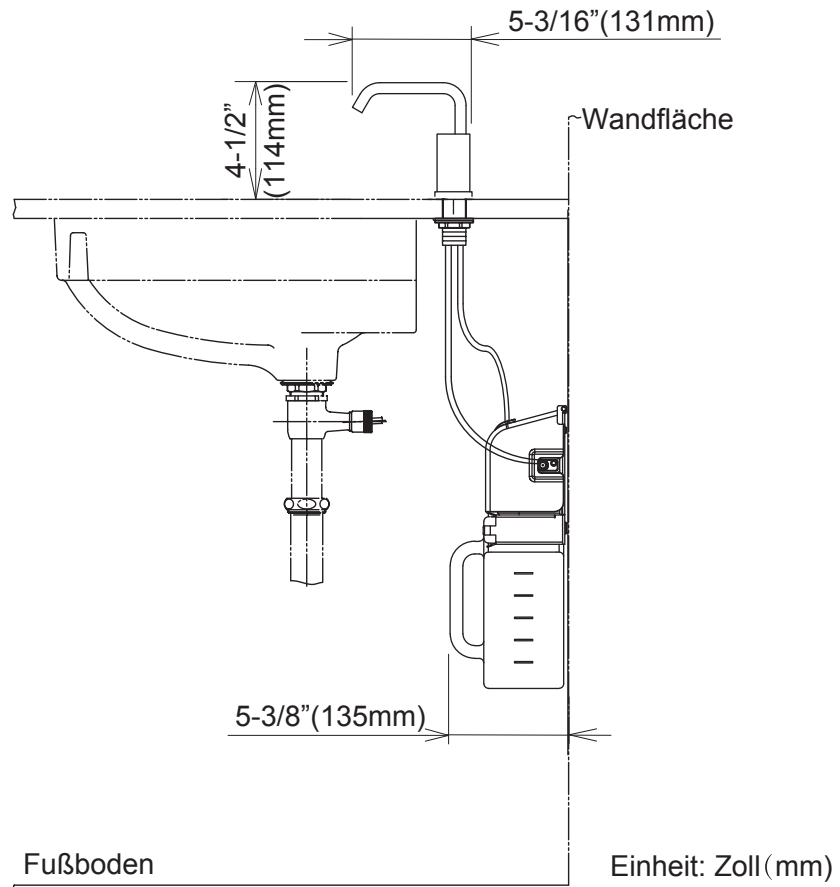
DIESE SCHRIFTLICHE GARANTIEZUSAGE IST DIE EINZIGE GARANTIE, DIE TOTO GEWÄHRT. DEM KUNDEN STEHT IM RAHMEN DIESER GARANTIEBESTIMMUNGEN LEDIGLICH DAS RECHT AUF REPARATUR ODER UMTAUSCH, WIE SIE IN DIESER GARANTIE VORGESEHEN SIND, ZU. TOTO IST NICHT HAFTBAR ZU MACHEN FÜR NUTZUNGS-AUSFÄLLE DES PRODUKTS ODER FÜR ANDERE BEILÄUFIG ENTSTANDENE SCHÄDEN, KONKRETE SCHÄDEN ODER FOLGESCHÄDEN SOWIE FÜR DIE DEM KUNDEN ENTSTEHENDEN KOSTEN, ARBEITSKOSTEN ODER ANDERE KOSTEN AUFGRUND INSTALLATION ODER DEINSTALLATION SOWIE REPARATURKOSTEN UND JEDLICHE ANDEREN NICHT EXTRA AUFGEFÜHRTE KOSTEN. SOFERN NICHT DURCH GELTENDES RECHT ANDERS GEREGLT BESCHRÄNKT SICH DIE GARANTIE EINSCHLIESSLICH DER MÄNGELGEWÄHRLEISTUNG ODER DER ZUSICHERUNG ALLGEMEINER GEBRAUCHSTAUGLICHKEIT LEDIGLICH AUF DIE GELTUNGSDAUER DIESER GARANTIEBESTIMMUNGEN. IN MANCHEN STAATEN SIND BESCHRÄNKUNGEN DER GARANTIEBESTIMMUNGEN ODER DER AUSSCHLUSS ODER DIE BESCHRÄNKUNG VON BEILÄUFIG ENTSTANDENEN SCHÄDEN ODER VON FOLGESCHÄDEN NICHT ERLAUBT; IN DIESEM FALL TRIFFT OBIGE BESCHRÄNKUNG ODER OBIGER AUSSCHLUSS NICHT AUF SIE ZU.

EINBAUABMESSUNGEN

ANSICHT VON VORN



ANSICHT VON DER SEITE



DEUTSCH

TOTO

Hauptniederlassung

TOTO Europe GmbH
Zollhof 2, 40221 Düsseldorf Germany
Tel:+49 (0)700 8686 0700

Bitte halten Sie die folgenden Informationen fest, damit wir Ihnen möglichst schnell helfen können.

Kaufdatum:	Name des Geschäfts:
Datum: Jahr Monat Tag	Tel.: