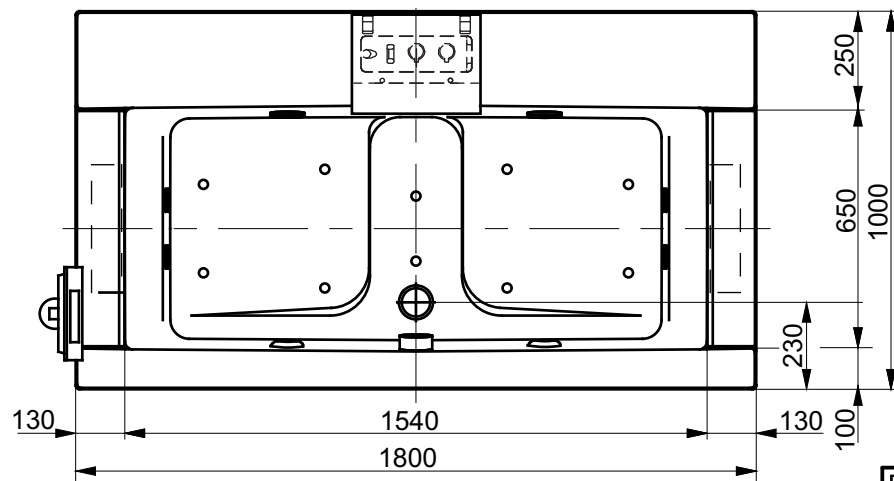
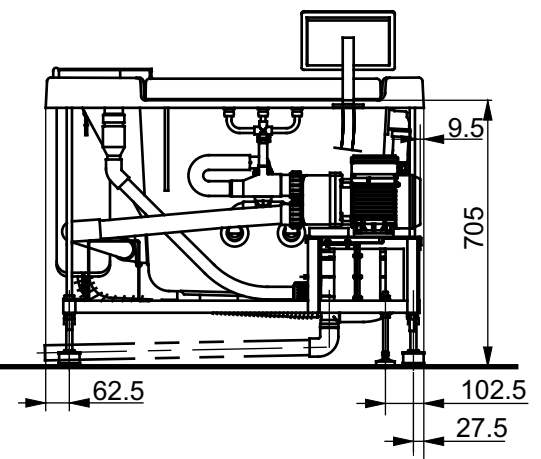
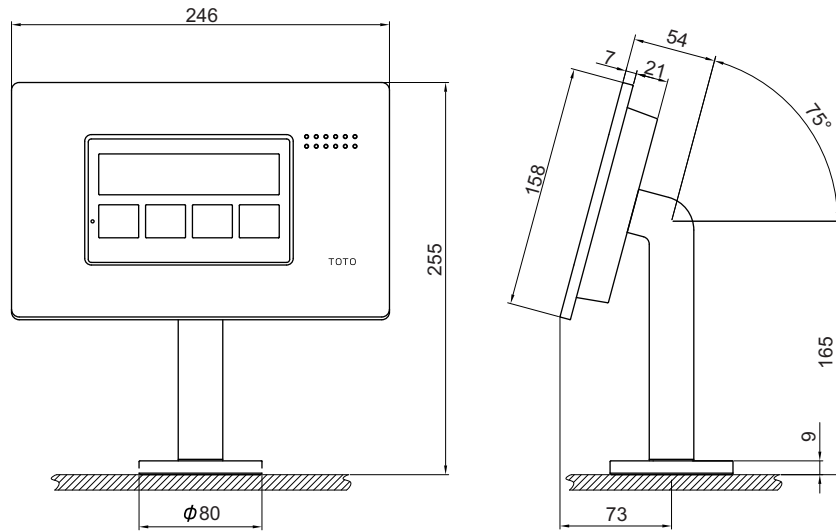


±0=OKFFB

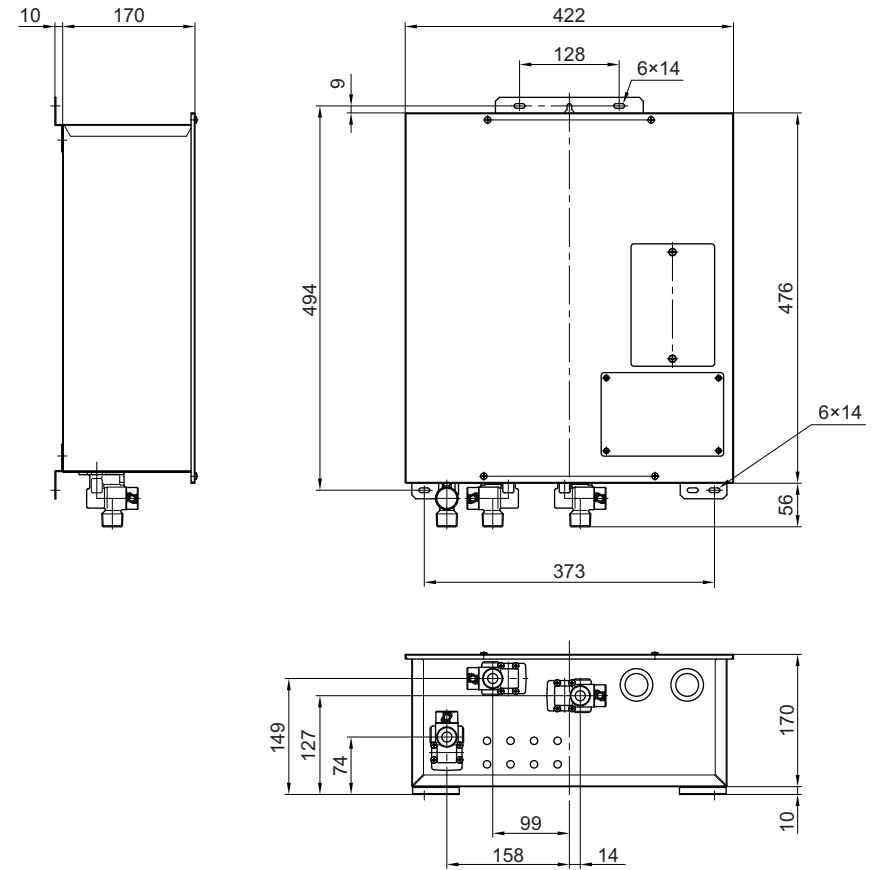


Designation		TOTO	
NEOREST SERIES SE Whirlpool Bathtub PKZ1810A			
Altered		Scale	1:20
		Signed	T.G.
		Date	12/07/13
			This drawing including the respective data may neither be duplicated nor modified nor altered without the consent of TOTO Europe GmbH. The usage of the data/technical drawings takes place at user's own risk and under exclusion of any liability of TOTO Europe GmbH and/or of the companies of the TOTO-Group. The indicated dimensions are not binding; products are subject to change. Measurements shown may be subject to small variations or are indicative.

□ Controller stand / Halterung der Bedieneinheit / Socle du contrôleur / Supporto del controller



□ Function module / Funktionseinheit / Module fonctionnel / Modulo delle funzioni



Designation		TOTO		
NEOREST SERIES SE Whirlpool Bathtub PKZ1810A				
Altered	Scale	This drawing including the respective data may neither be duplicated nor modified nor altered without the consent of TOTO Europe GmbH. The usage of the data/technical drawings takes place at user's own risk and under exclusion of any liability of TOTO Europe GmbH and/or of the companies of the TOTO-Group. The indicated dimensions are not binding; products are subject to change. Measurements shown may be subject to small variations or are indicative.		
	Signed			T.G.
	Date			12/07/13