

TO BE COMBINED WITH

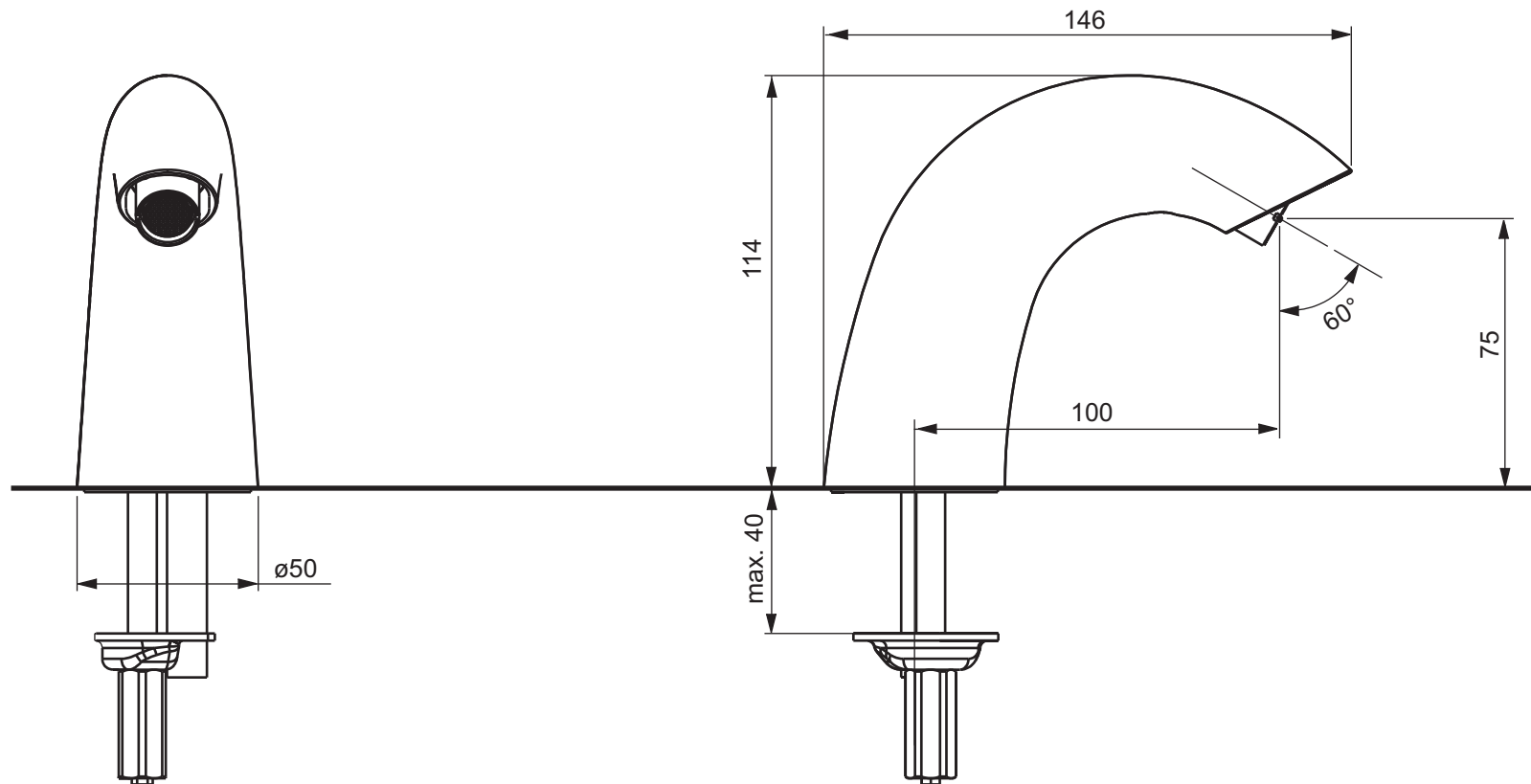
- | | |
|-----------------------------------|-------------|
| 1. Auto faucet Curved | TEN40AWV105 |
| 2. Auto faucet Curved | TEN40AWV205 |
| 3. Auto faucet Traditional | TEN12AWV205 |
| 4. Auto faucet Modern curved | TEN12AWV105 |
| 5. Auto faucet Modern square | TEN12AWV305 |
| 6. Auto faucet Traditional curved | TEN12AWV505 |

Designation
PUBLIC SERIES
 Thermostatic unit (2L/min) TN7810V765
 Thermostatic unit (3L/min) TN7810V465
 Thermostatic unit (4L/min) TN7810V565

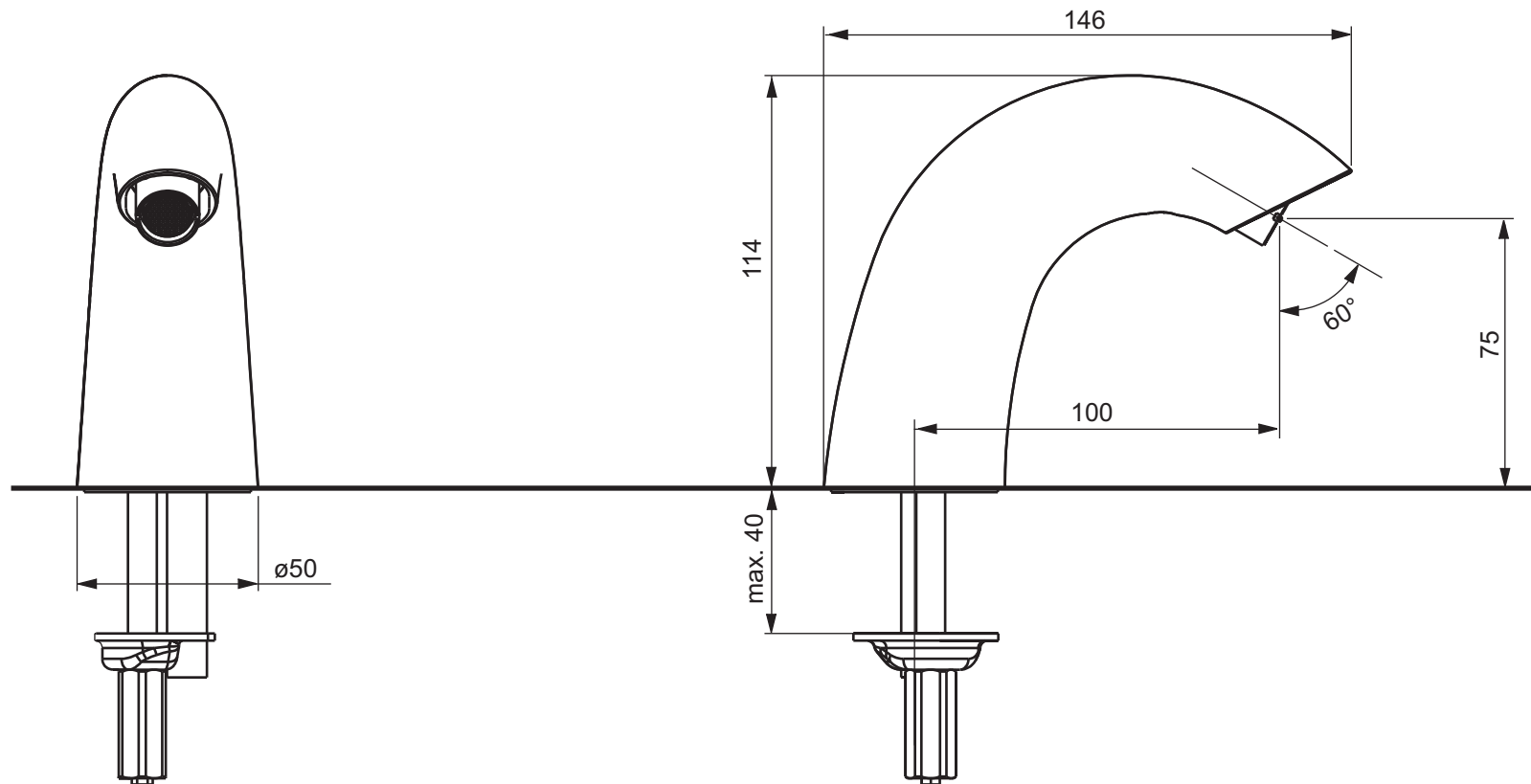


Altered		Scale	1:5
		Signed	T.G.
	Date	22/02/2011	

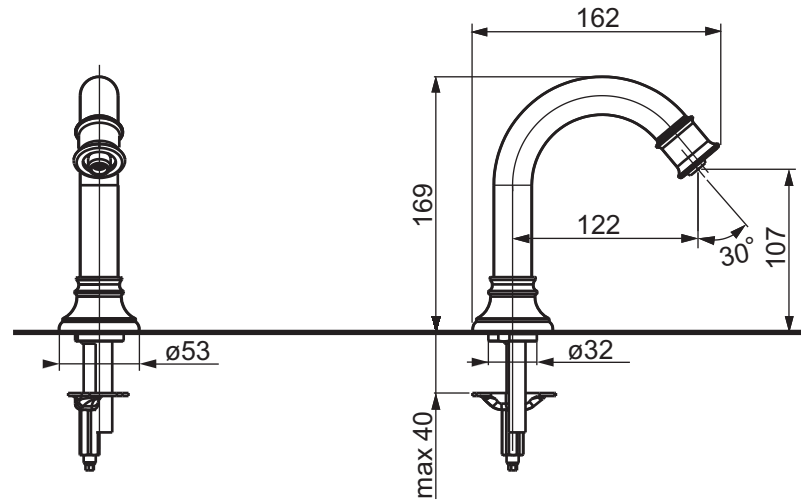
This drawing including the respective data may neither be duplicated nor modified nor altered without the consent of TOTO Europe GmbH. The usage of the data/technical drawings takes place at user's own risk and under exclusion of any liability of TOTO Europe GmbH and/or of the companies of the TOTO-Group. The indicated dimensions are not binding; products are subject to change. Measurements shown may be subject to small variations or are indicative.



Designation		PUBLIC SERIES		TOTO
		Auto faucet curved		
		TEN40AWV105		
Altered		Scale	1:2	
		Signed	T.G.	
		Date	06/09/2010	
				<p>This drawing including the respective data may neither be duplicated nor modified nor altered without the consent of TOTO Europe GmbH. The usage of the data/technical drawings takes place at user's own risk and under exclusion of any liability of TOTO Europe GmbH and/or of the companies of the TOTO-Group. The indicated dimensions are not binding; products are subject to change. Measurements shown may be subject to small variations or are indicative.</p>



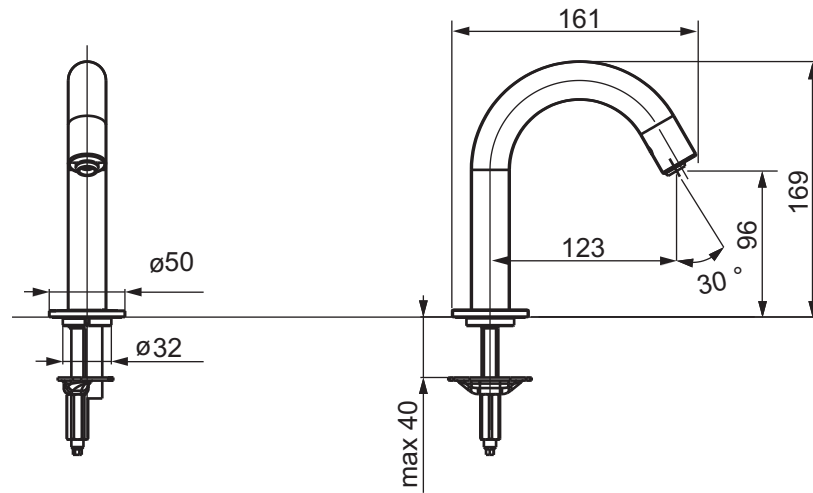
Designation		PUBLIC SERIES		TOTO
		Auto faucet curved		
		TEN40AWV205		
Altered		Scale		This drawing including the respective data may neither be duplicated nor modified nor altered without the consent of TOTO Europe GmbH. The usage of the data/technical drawings takes place at user's own risk and under exclusion of any liability of TOTO Europe GmbH and/or of the companies of the TOTO-Group. The indicated dimensions are not binding; products are subject to change. Measurements shown may be subject to small variations or are indicative.
		1:2		
		Signed	T.G.	
		Date	06/09/2010	



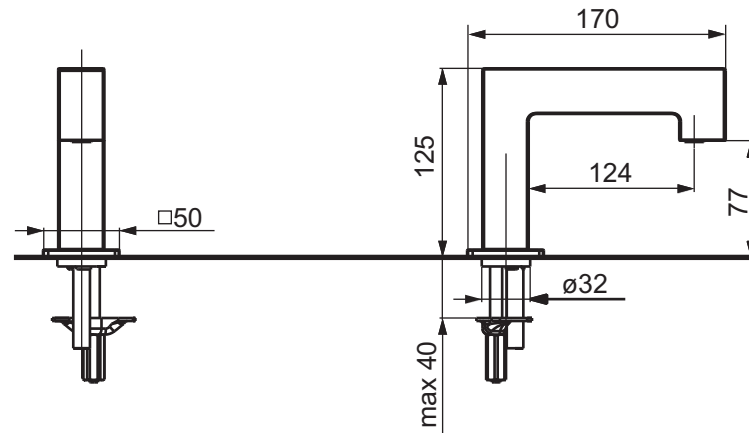
TO BE COMBINED WITH

1. Single water unit (4L/min) TN789V565
2. Thermostatic unit (4L/min) TN7810V565

Designation		TOTO	
PUBLIC SERIES Auto faucet traditional TEN12AWV205			
Altered		Scale 1:5	
		Signed	T.G.
		Date	22/02/2011
			<small>This drawing including the respective data may neither be duplicated nor modified nor altered without the consent of TOTO Europe GmbH. The usage of the data/technical drawings takes place at user's own risk and under exclusion of any liability of TOTO Europe GmbH and/or of the companies of the TOTO-Group. The indicated dimensions are not binding; products are subject to change. Measurements shown may be subject to small variations or are indicative.</small>



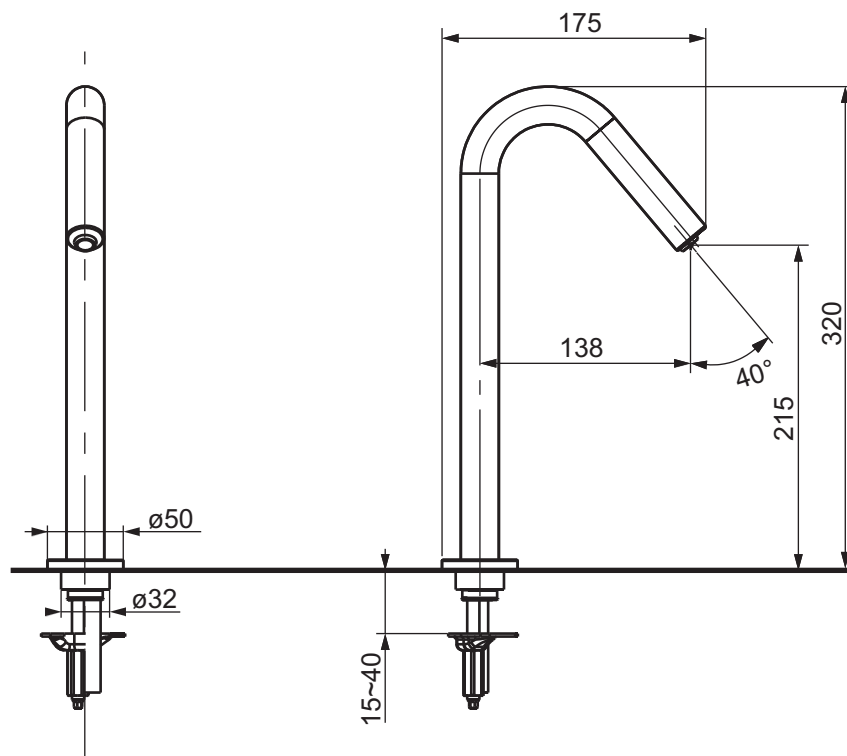
Designation		TOTO	
PUBLIC SERIES Auto faucet modern curved TEN12AWV105			
Altered		Scale 1:5	
		Signed	T.G.
		Date	06/09/2010
		This drawing including the respective data may neither be duplicated nor modified nor altered without the consent of TOTO Europe GmbH. The usage of the data/technical drawings takes place at user's own risk and under exclusion of any liability of TOTO Europe GmbH and/or of the companies of the TOTO-Group. The indicated dimensions are not binding; products are subject to change. Measurements shown may be subject to small variations or are indicative.	



TO BE COMBINED WITH

1. Single water unit (4L/min) TN789V565
2. Thermostatic unit (4L/min) TN7810V565

Designation		TOTO	
PUBLIC SERIES Auto faucet modern square TEN12AWV305			
Altered		Scale	This drawing including the respective data may neither be duplicated nor modified nor altered without the consent of TOTO Europe GmbH. The usage of the data/technical drawings takes place at user's own risk and under exclusion of any liability of TOTO Europe GmbH and/or of the companies of the TOTO-Group. The indicated dimensions are not binding; products are subject to change. Measurements shown may be subject to small variations or are indicative.
		1:5	
		Signed	
		Date	22/02/2011



Designation
PUBLIC SERIES
 Auto faucet traditional curved
 TEN12AWV505

TOTO

Altered		Scale	1:5
		Signed	T.G.
	Date	06/09/2010	

This drawing including the respective data may neither be duplicated nor modified nor altered without the consent of TOTO Europe GmbH. The usage of the data/technical drawings takes place at user's own risk and under exclusion of any liability of TOTO Europe GmbH and/or of the companies of the TOTO-Group. The indicated dimensions are not binding; products are subject to change. Measurements shown may be subject to small variations or are indicative.